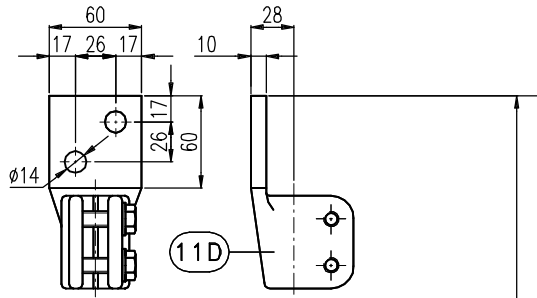
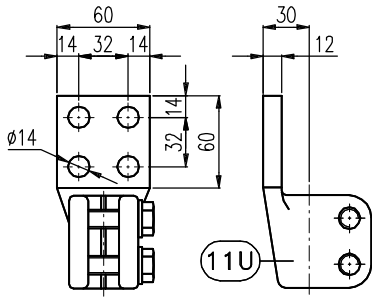


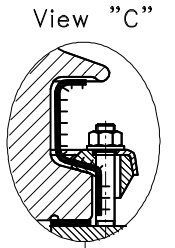
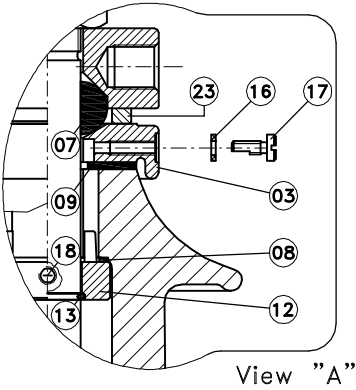
Style VU

Style VD



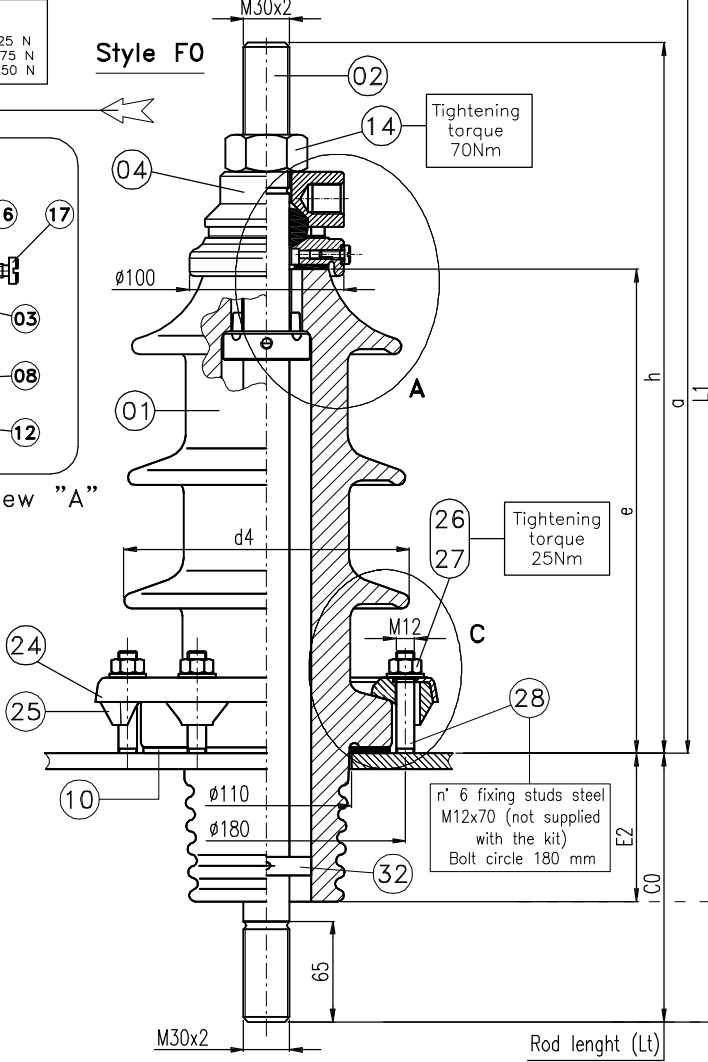
CANTILEVER OPERATING LOAD

- VERTICAL:	625 N
- INCLINED 30°:	375 N
- OPERATING TEST LOAD:	1250 N



30F/1000 upon request can be supplied with metalization (30F/1000.M)

Style F0



Pos.	Description
1	Porcelain
2	Copper rod
3	Brass cap "E"
4	Brass top washer "F"
7	NBR ring gasket "J"
8	Gasket "O"
9	NBR gasket "M"
10	NBR Flange gasket "N"
11D	Brass flag Esec. DIN
11U	Brass flag Esec. UNEL
12	Brass ring "P"
13	Copper ring "S"
14	Brass nut M30 DIN 934
16	Fiber gasket
17	Vent/screw "R"
18	Locking screw
23	Bronze contact ring "U"
24	Aluminium fixing ring "C" DIN 42538 (AISI304)
25	Aluminium clamping piece "F" DIN 42538
26	Nuts M12 DIN934 (AISI304)
27	Washer 13 (AISI304)
28	Fixing stud M12x70 (not supplied)
29	Brass nut M30 DIN934
30	Brass locknut M30 DIN936
31D-U	Brass flag Esec. DIN or UNEL
32	Center ring

Bushing Acc. to IEC 60137 ed. 6.0

Style C0

Style E1

Style A1

Bushing	Voltage kV	Current A	Creepage distance mm	PF 1' kV	BIL kV	a mm	C0 mm	d4 mm	e mm	E2 mm	h mm	L1 mm	Z n° of sheds	G.W. Kg	Rod LT mm
10F/1000	12	1250	290	30	75	455	158	170	239	86	387	613	2	15	545
20F/1000	24		440	55	125	530	168	185	314	96	462	698	3	18	630
30F/1000	36		640	77	170	635	198	200	419	121	567	833	4	22	765
30F/1000.M			535 *												

NOTE *: Reduced CD for porcelain with metalization

THE FIGURE SHOWS THE BUSHING 20F/1000 (1:5 SCALE)



Titolo **OUTDOOR TRANSFORMER BUSHING**
DIN 42533 (UNEL 38174/74)
RATED CURRENT 1250A
VOLTAGE 12 TO 36kV

Data **11/03/13**
 Scala **1:5**
 Dis.
 Visto

Dis. Nr **3804**

1	2	3		
---	---	---	--	--