

**AMETEK**<sup>®</sup>  
TECHNICAL & INDUSTRIAL PRODUCTS

Tom Starek  
AMETEK DFS  
100 East Erie St  
Kent, OH 44240  
330.677.3731  
tom.starek@ametek.com

**Allied Electronics**  
Created for Danee Lackey



WELCOME TO SOLUTION CITY<sup>®</sup>

## Table of Contents

5.7" (145mm) BLDC Bypass Blower 24 VDC Input, High Flow System	1
5.7" (145mm) BLDC Bypass Blower 48 VDC Input, High Flow System	3
5.7" (145mm) BLDC Thru Flow Blower 250 Watt, 120 Volt Standard Flow	5
5.7" (145mm) BLDC Bypass Blower 250 Watt, 120 Volt Standard Flow	7
5.7" (145mm) BLDC Bypass Blower 250 Watt, 120 Volt High Flow	9
5.7" (145mm) BLDC Thru Flow Blower 250 Watt, 120 Volt High Flow	11
5.7" (145mm) BLDC Bypass Blower 400 Watt, 240 Volt High Flow	13
5.7" (145mm) BLDC Bypass Blower 1200 Watt, 240 Volt Standard Flow - IntelliGen (TM)	15
5.7" (145mm) BLDC Bypass Blower 1200 Watt, 240 Volt High Flow - IntelliGen (TM)	17

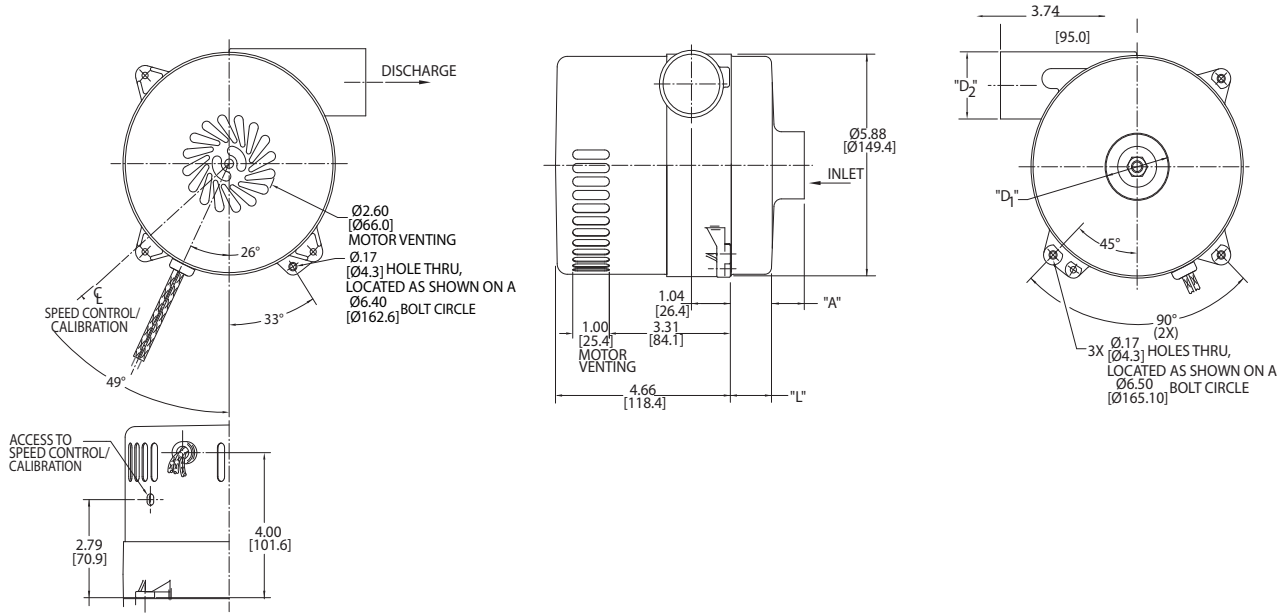
# Low Voltage Brushless DC Blowers

## 5.7" (145mm) BLDC Bypass Blower

24 VDC Input, High Flow System



INCH  
(MM)



Specification	Units	Part/ Model Number					
		150403	150434	150404	150435	150405	150436
Flow	-	High Flow	High Flow	High Flow	High Flow	Ultra High Flow	Ultra High Flow
Stages	-	1	1	2	2	1	1
Input Voltage	VDC	24	24	24	24	24	24
Max Sealed Pressure	in. H <sub>2</sub> O mbar	34 84.7	34 84.7	57 142	57 142	22 54.8	22 54.8
Max Open Flow Rate	CFM m <sup>3</sup> /hr	126 214.2	126 214.2	101 171.7	101 171.7	190 323	190 323
Inlet Diameter D <sub>1</sub>	Inches mm	1.75 44.5	1.75 44.5	1.75 44.5	1.75 44.5	2.75 69.9	2.75 69.9
Discharge Diameter D <sub>2</sub>	Inches mm	1.75 44.5	1.75 44.5	1.75 44.5	1.75 44.5	2.5 63.5	2.5 63.5
Length (L)	Inches mm	0.50 12.7	0.50 12.7	1.50 38.1	1.50 38.1	0.75 19.1	0.75 19.1
Speed Control	-	Anlg. Spd. Cmd.	Potent. Adjust.	Anlg. Spd. Cmd.	Potent. Adjust.	Anlg. Spd. Cmd.	Potent. Adjust.

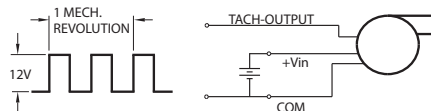
**Notes:**

- **Temperature:** Working Air: 0°C to 45°C, Ambient Air: 0°C to 45°C, Storage: -40°C to 85°C.
- When used as a vacuum, the blower performance might be less than shown herein, depending on the operating point.
- **Weight** = 6 lb / 2.2 Kg

**Potentiometer Adjustment** (Potent. Adjust.) - The specified supply voltage is applied and the speed is set by adjusting a potentiometer on the side of the blower.

**Analog Speed Command** (Anlg. Spd. Cmd.) - Blower speed is proportional to an analog speed command signal. The range over which the speed command signal operates can be calibrated within 0-10V by adjusting the sensitivity potentiometer accessed through the side of the blower. The sensitivity adjustment is also useful for precisely calibrating a group of blowers to the same speed for a given operating point and command signal voltage.

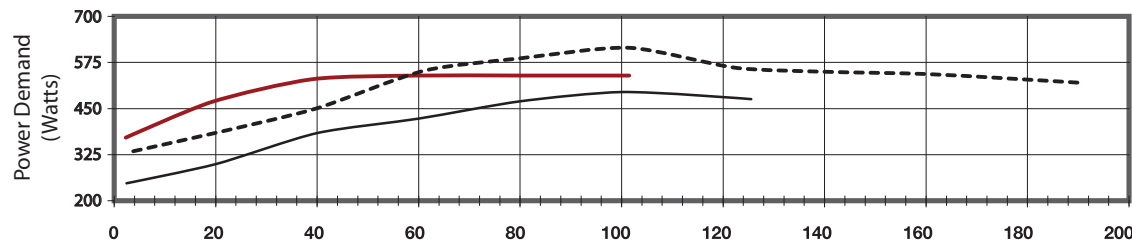
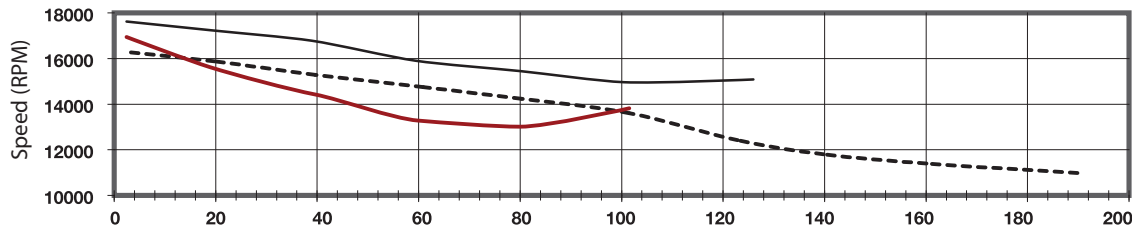
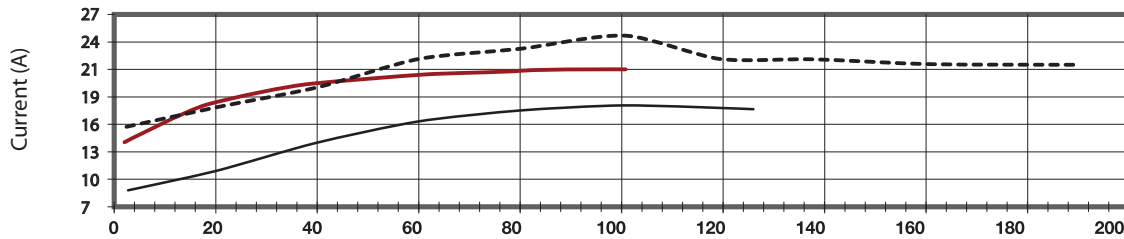
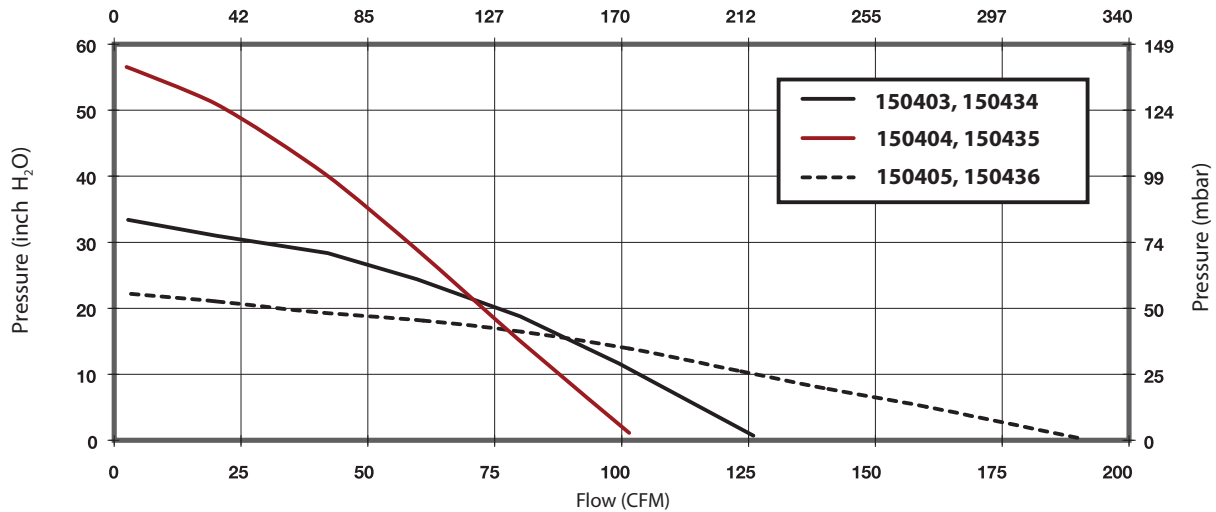
**Tachometer Output** - All of the models listed above come equipped with a tachometer output: a square wave output that is proportional to blower speed. The frequency of the tachometer output signal is 2x the blower's rotational frequency.



This document is for informational purposes only and should not be considered as a binding description of the products or their performance in all applications. The performance data on this page depicts typical performance under controlled laboratory conditions. AMETEK is not responsible for blowers driven beyond factory specified speed, temperature, pressure, flow or without proper alignment. Actual performance will vary depending on the operating environment and application. AMETEK products are not designed for and should not be used in medical life support applications. AMETEK reserves the right to revise its products without notification. The above characteristics represent standard products. For product designed to meet specific applications, contact AMETEK Technical & Industrial Products Sales department.

### Typical Performance

(at constant 24V input)  
Flow (m<sup>3</sup>/hr)



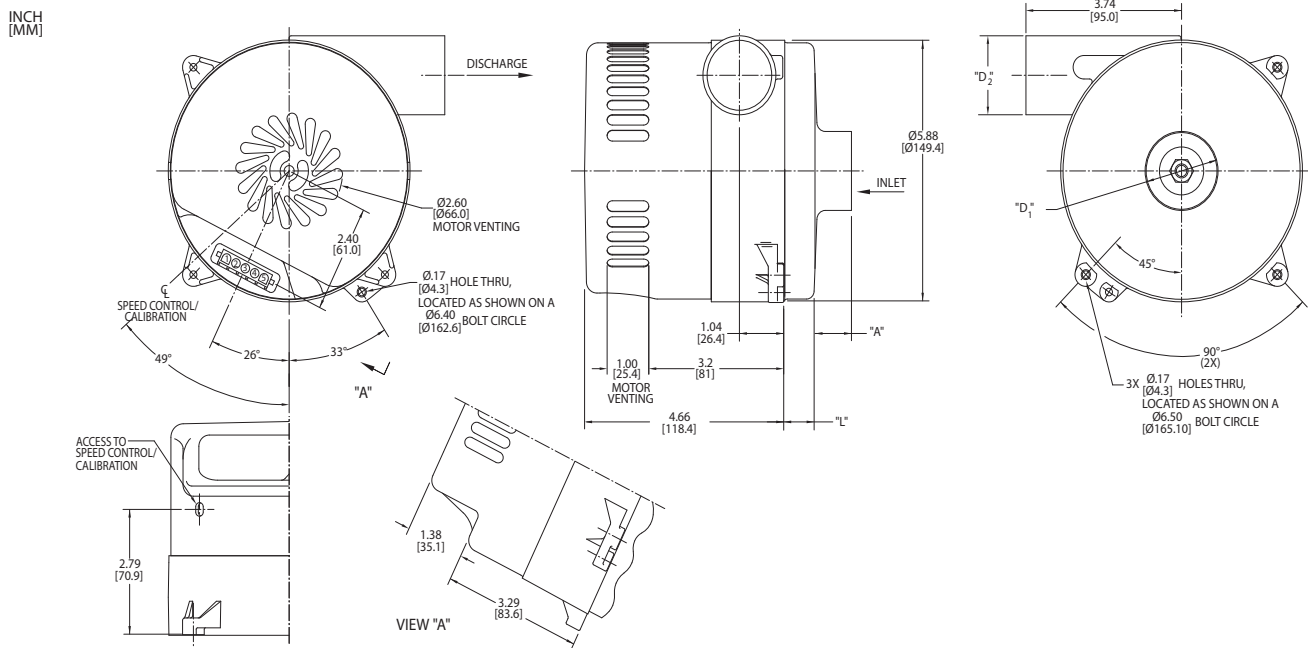
Data presented represents blower performance at STANDARD AIR DENSITY, .075 lb/ft<sup>3</sup> (29.92" Hg, Sea Level, 68° F)  
Vacuum performance available upon request.

*This document is for informational purposes only and should not be considered as a binding description of the products or their performance in all applications. The performance data on this page depicts typical performance under controlled laboratory conditions. AMETEK is not responsible for blowers driven beyond factory specified speed, temperature, pressure, flow or without proper alignment. Actual performance will vary depending on the operating environment and application. AMETEK products are not designed for and should not be used in medical life support applications. AMETEK reserves the right to revise its products without notification. The above characteristics represent standard products. For product designed to meet specific applications, contact AMETEK Technical & Industrial Products Sales department.*

# Low Voltage Brushless DC Blowers

## 5.7" (145mm) BLDC Bypass Blower

48 VDC Input, High Flow System



Specification	Units	Part/ Model Number					
		150414	150444	150415	150445	150416	150446
Fan System	-	High Airflow	High Airflow	High Airflow	High Airflow	Ultra High Flow	Ultra High Flow
Stages	-	1	1	2	2	1	1
Input Voltage	VDC	43-53	43-53	43-53	43-53	43-53	43-53
Max Sealed Pressure	in. H <sub>2</sub> O	29.5	29.5	51.5	51.5	21.1	21.1
	mbar	73.5	73.5	128.3	128.3	52.6	52.6
Max Airflow	CFM	115.7	115.7	91.3	91.3	160.3	160.3
	m <sup>3</sup> /hr	196.7	196.7	155.2	155.2	272.5	272.5
Inlet Diameter D <sub>1</sub>	Inches	1.75	1.75	1.75	1.75	2.75	2.75
	mm	44.5	44.5	44.5	44.5	69.9	69.9
Discharge Diameter D <sub>2</sub>	Inches	1.75	1.75	1.75	1.75	2.50	2.50
	mm	44.5	44.5	44.5	44.5	63.5	63.5
Length (L)	Inches	0.50	0.50	1.50	1.50	0.75	0.75
	mm	12.7	12.7	38.1	38.1	19.1	19.1
Speed Control	-	Analog Spd. Cmd.	Potent. Adjust.	Analog	Potent. Adjust.	Analog	Potent. Adjust.

### Notes:

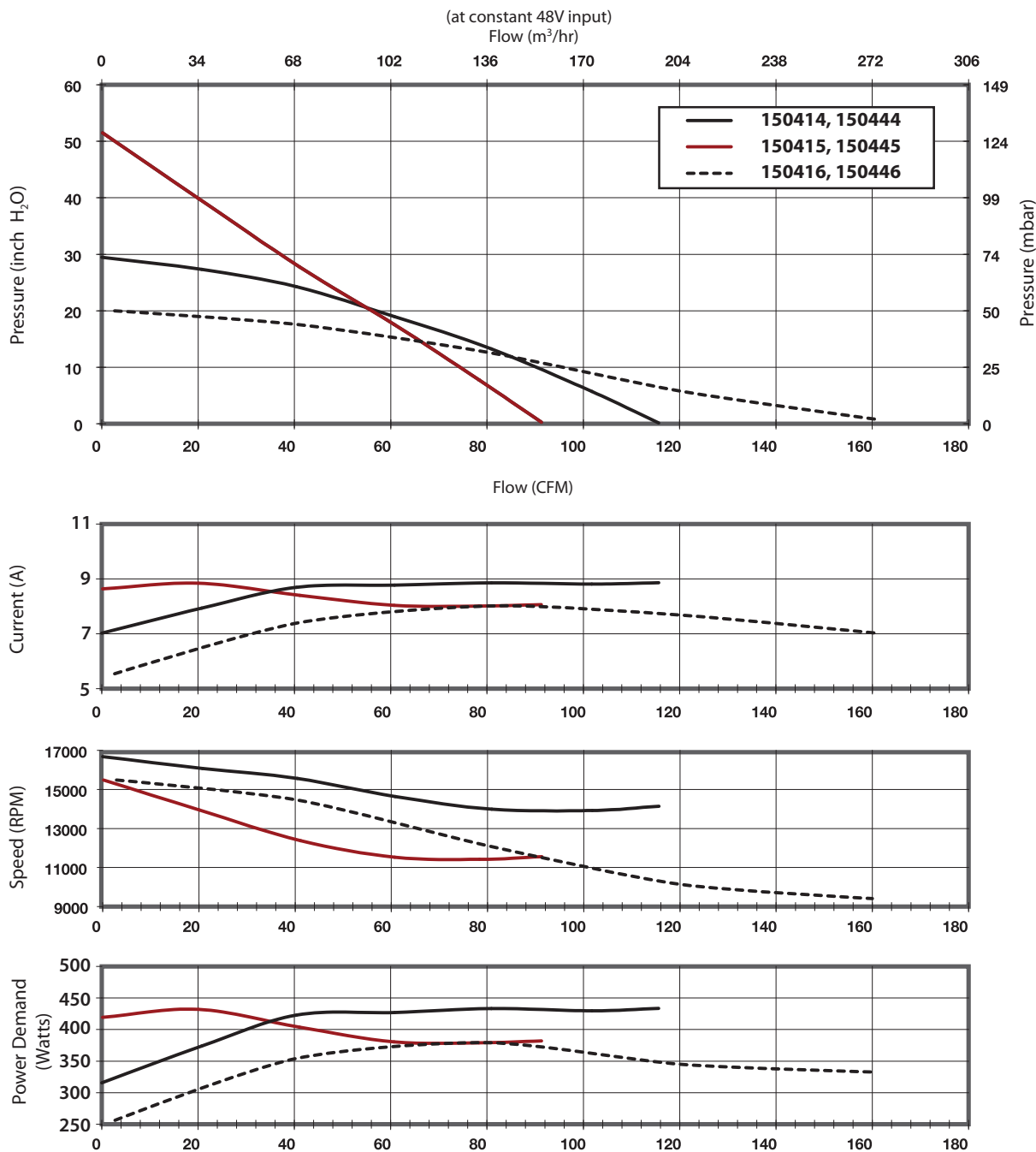
- **Temperature:** Working Air: 0°C to 45°C, Ambient Air: 0°C to 45°C, Storage: -40°C to 85°C.
- When used as a vacuum, the blower performance might be less than shown herein, depending on the operating point.
- **Weight** = 6 lb / 2.2 Kg

**Potentiometer Adjustment** (Potent. Adjust.) - The specified supply voltage is applied and the speed is set by adjusting a potentiometer on the side of the blower.

**Analog Speed Command** (Anlg. Spd. Cmd.) - Blower speed is proportional to an analog speed command signal. The range over which the speed command signal operates can be calibrated within 0-10V by adjusting the sensitivity potentiometer accessed through the side of the blower. The sensitivity adjustment is also useful for precisely calibrating a group of blowers to the same speed for a given operating point and command signal voltage.

*This document is for informational purposes only and should not be considered as a binding description of the products or their performance in all applications. The performance data on this page depicts typical performance under controlled laboratory conditions. AMETEK is not responsible for blowers driven beyond factory specified speed, temperature, pressure, flow or without proper alignment. Actual performance will vary depending on the operating environment and application. AMETEK products are not designed for and should not be used in medical life support applications. AMETEK reserves the right to revise its products without notification. The above characteristics represent standard products. For product designed to meet specific applications, contact AMETEK Technical & Industrial Products Sales department.*

### Typical Performance



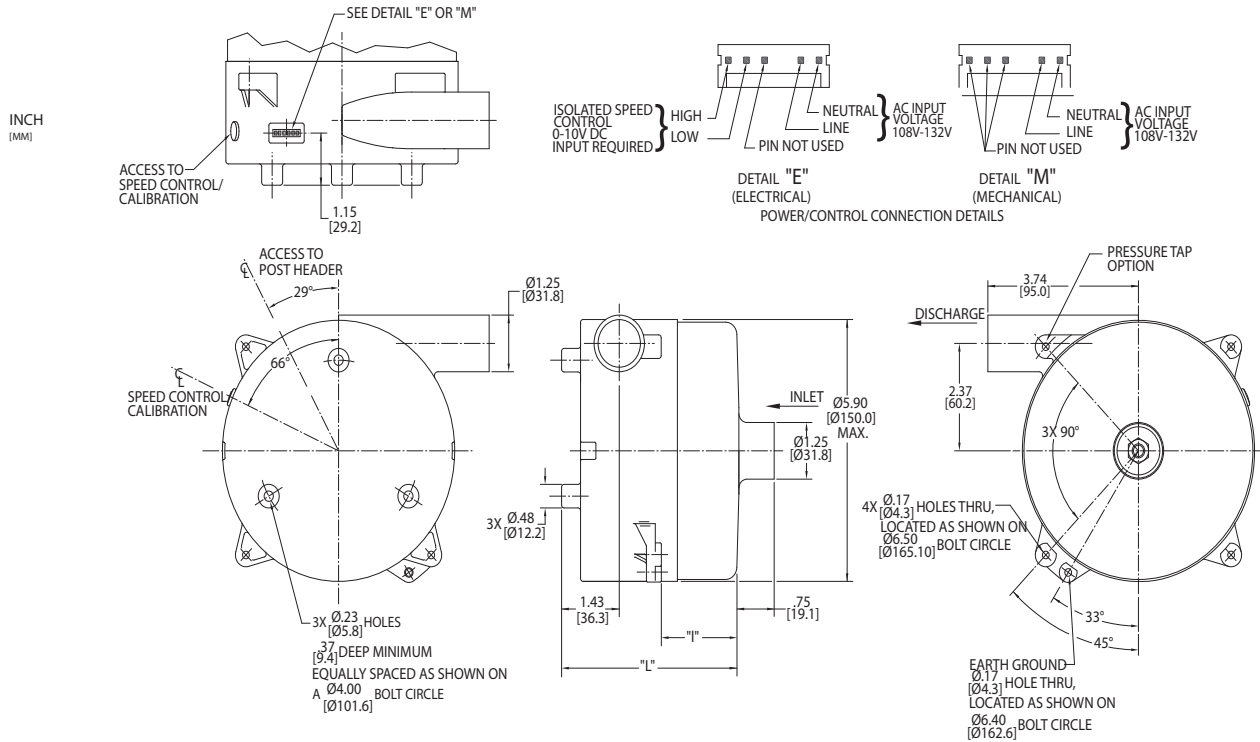
Data presented represents blower performance at STANDARD AIR DENSITY, .075 lb/ft<sup>3</sup> (29.92" Hg, Sea Level, 68° F)  
 Vacuum performance available upon request.

*This document is for informational purposes only and should not be considered as a binding description of the products or their performance in all applications. The performance data on this page depicts typical performance under controlled laboratory conditions. AMETEK is not responsible for blowers driven beyond factory specified speed, temperature, pressure, flow or without proper alignment. Actual performance will vary depending on the operating environment and application. AMETEK products are not designed for and should not be used in medical life support applications. AMETEK reserves the right to revise its products without notification. The above characteristics represent standard products. For product designed to meet specific applications, contact AMETEK Technical & Industrial Products Sales department.*

# High Voltage Brushless DC Blowers

## 5.7" (145mm) BLDC Thru Flow Blower

250 Watt, 120 Volt Standard Flow



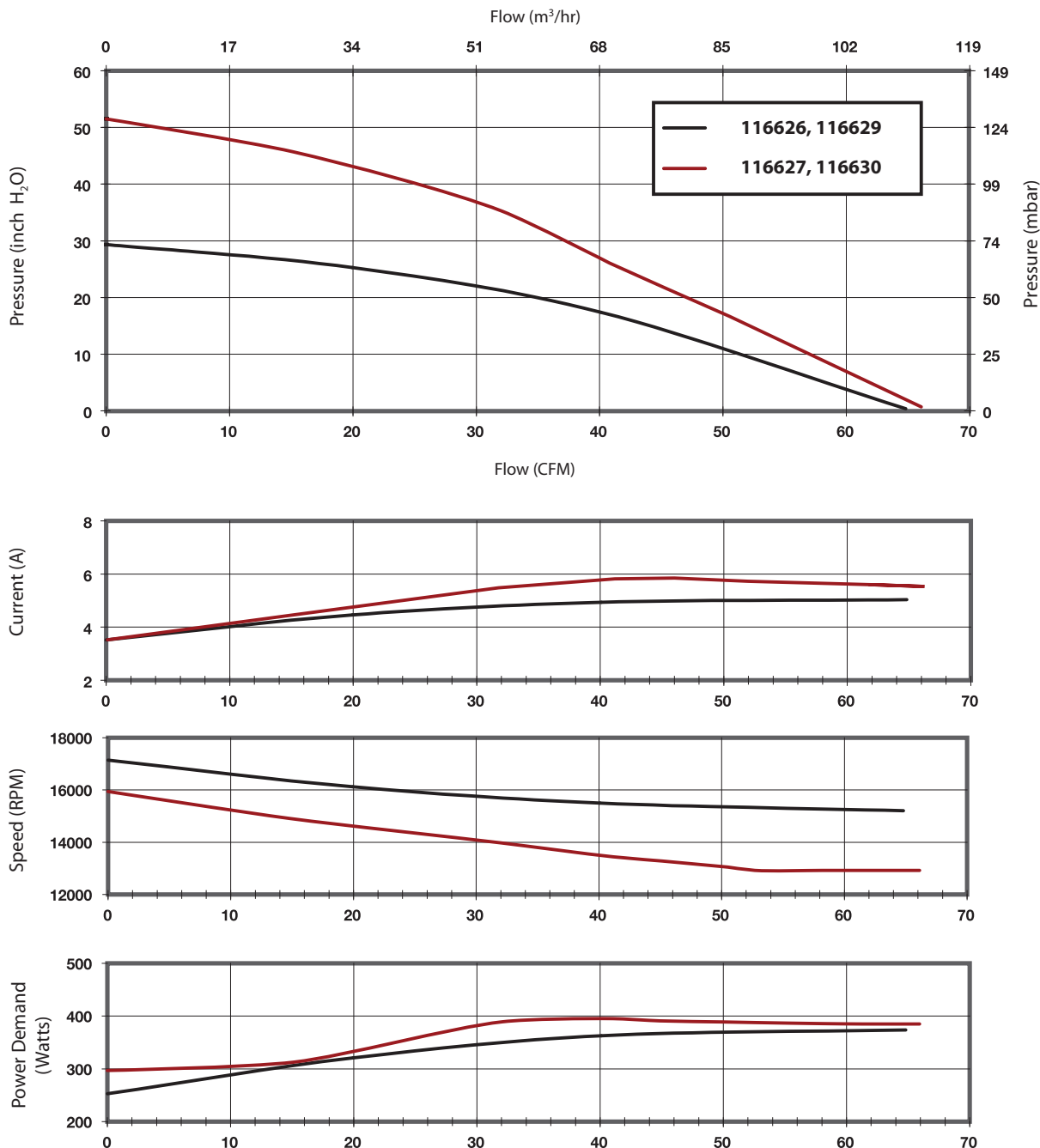
Specification	Units	Part/ Model Number			
		116626	116629	116627	116630
Stages	-	1	1	2	2
Max Sealed Vacuum	in. H2O	28.4	28.4	50.0	50.0
	mbar	70.7	70.7	124.6	124.6
Max Sealed Pressure	in. H2O	29.3	29.3	50.6	50.6
	mbar	73	73	126	126
Max Flow Rate	CFM	64.5	64.5	66	66
	m3/hr	109.7	109.7	112.2	112.2
Length (l)	Inches	0.69	0.69	1.60	1.60
	mm	17.5	17.5	40.6	40.6
Length (L)	Inches	3.16	3.16	4.07	4.07
	mm	80.3	80.3	103.4	103.4
Speed Control	-	Mechanical	Electrical	Mechanical	Electrical

### Notes:

- **Input Voltage Range:** 108-132 Volts AC RMS, 50/60 Hz., Single Phase.
- **Input Current:** 5 amps AC RMS
- **Operating Temperature (Ambient Air and Working Air):** 0° C to 50° C
- **Storage Temperature:** -40° C to 85° C
- **Dielectric Testing:** 1500 Volts AC RMS 60 Hz applied for one second between input pins and ground, 3mA leakage maximum.
- **Speed Control:** E (Electrical) Pulse Width Modification or Analog input voltage (user supplied), 0 to 10 Volts DC, 10mA maximum, 3 to 15 Volts DC. Access to sensitivity adjustment for 0 to 10 VDC speed control. (Ref. pin connection).  
M (Mechanical): A potentiometer is available for speed control of the blower. The potentiometer can be preset for a specific speed. Access for speed adjustment located in blower housing.
- **Approximate Weight:** 6 Lbs. / 2.2 Kg.
- **Regulatory Agency Certification:** Underwriters Laboratories, Inc. qualified per UL507 under File E-94403. Canadian Standards Association qualified per C22.2#113 under File LR 43448.
- **Miscellaneous:** Intake and exhaust tubes, all cooling ducts and vents must not be obstructed. Intake and exhaust must be free of grease, oil and foreign particles. Amp housing 640250-6 w/SL-156 contacts (supplied by customer) mates with post header assembly. Mating harness available upon request. Optional IntelliGen™ controller available for customized performance and features including: tachometer output card; Universal AC input (100V-240V).

This document is for informational purposes only and should not be considered as a binding description of the products or their performance in all applications. The performance data on this page depicts typical performance under controlled laboratory conditions. AMETEK is not responsible for blowers driven beyond factory specified speed, temperature, pressure, flow or without proper alignment. Actual performance will vary depending on the operating environment and application. AMETEK products are not designed for and should not be used in medical life support applications. AMETEK reserves the right to revise its products without notification. The above characteristics represent standard products. For product designed to meet specific applications, contact AMETEK Technical & Industrial Products Sales department.

Typical Performance



Data presented represents blower performance at STANDARD AIR DENSITY, .075 lb/ft<sup>3</sup> (29.92" Hg, Sea Level, 68° F) Vacuum performance available upon request.

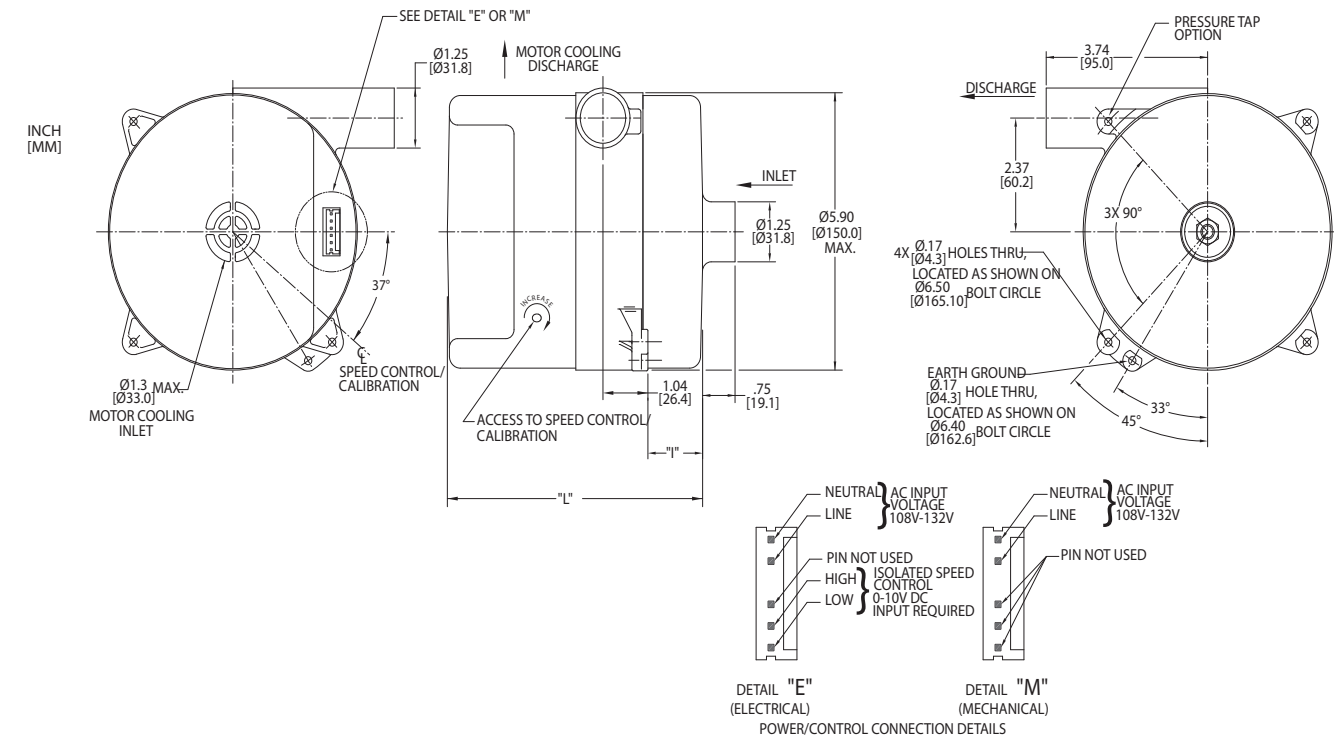
This document is for informational purposes only and should not be considered as a binding description of the products or their performance in all applications. The performance data on this page depicts typical performance under controlled laboratory conditions. AMETEK is not responsible for blowers driven beyond factory specified speed, temperature, pressure, flow or without proper alignment. Actual performance will vary depending on the operating environment and application. AMETEK products are not designed for and should not be used in medical life support applications. AMETEK reserves the right to revise its products without notification. The above characteristics represent standard products. For product designed to meet specific applications, contact AMETEK Technical & Industrial Products Sales department.



# High Voltage Brushless DC Blowers

## 5.7" (145mm) BLDC Bypass Blower

250 Watt, 120 Volt Standard Flow



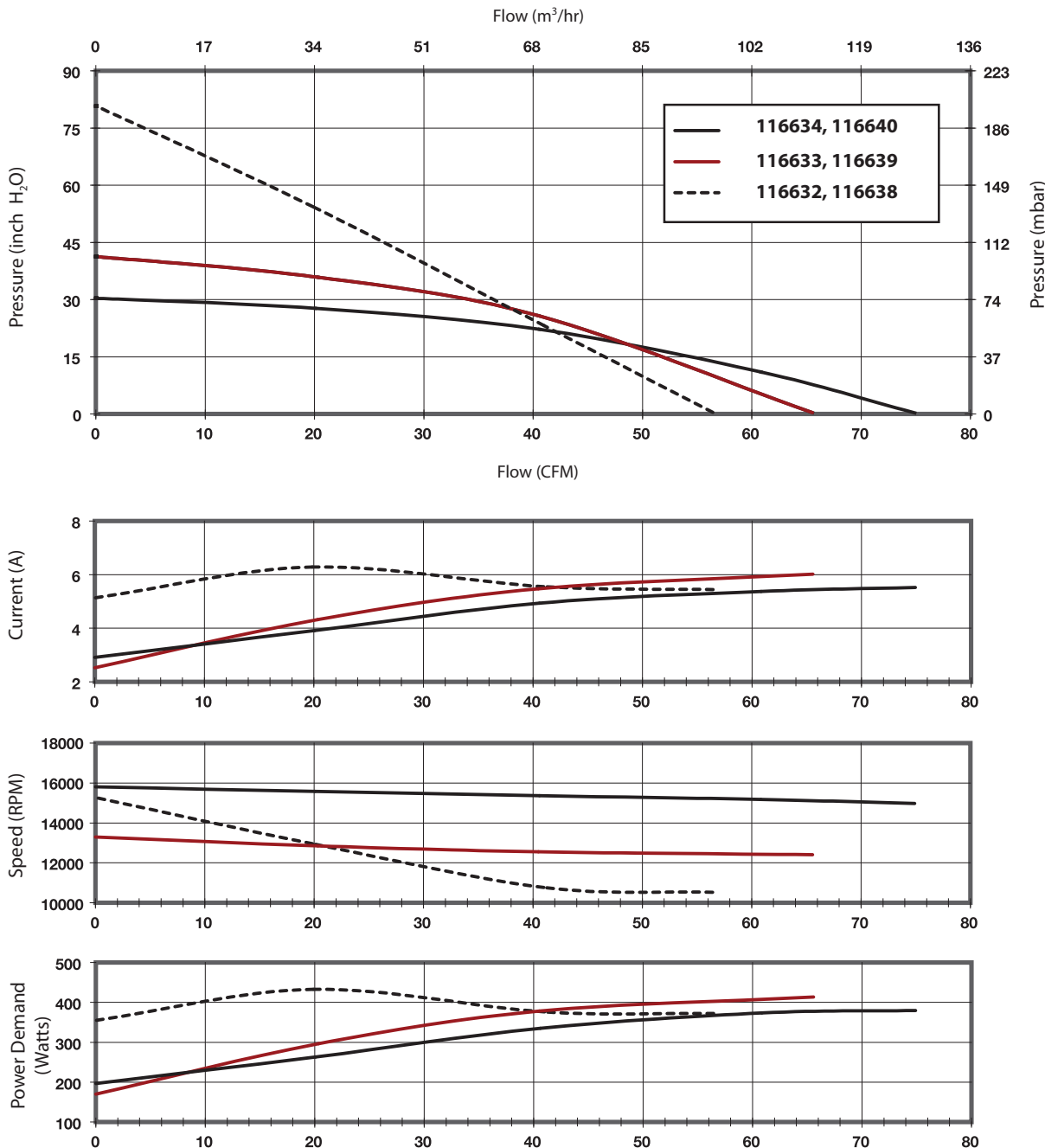
Specification	Units	Part/ Model Number					
		116634	116640	116633	116639	116632	116638
Stages	-	1	1	2	2	3	3
Max Sealed Vacuum	in. H2O	29.5	29.5	40.1	40.1	78.4	78.4
	mbar	73.5	73.5	99.9	99.9	195.3	195.3
Max Sealed Pressure	in. H2O	30.4	30.4	41.3	41.3	80.5	80.5
	mbar	75.7	75.7	102.9	102.9	200.5	200.5
Max Flow Rate	CFM	75.9	75.9	65.6	65.6	56.4	56.4
	m3/hr	129	129	111.5	111.5	95.9	95.9
Length (I)	Inches	0.33	0.33	1.25	1.25	2.14	2.14
	mm	8.4	8.4	31.8	31.8	54.4	54.4
Length (L)	Inches	5.08	5.08	6.35	6.35	6.89	6.89
	mm	129	129	161.3	161.3	175	175
Speed Control	-	Mechanical	Electrical	Mechanical	Electrical	Mechanical	Electrical

- Notes:**
- **Input Voltage Range:** 108-132 Volts AC RMS, 50/60 Hz., Single Phase.
  - **Input Current:** 5 amps AC RMS
  - **Operating Temperature (Ambient Air and Working Air):** 0° C to 50° C
  - **Storage Temperature:** -40° C to 85° C
  - **Dielectric Testing:** 1500 Volts AC RMS 60 Hz applied for one second between input pins and ground, 3mA leakage maximum.
  - **Speed Control:** E (Electrical) Pulse Width Modification or Analog input voltage (user supplied), 0 to 10 Volts DC, 10mA maximum, 3 to 15 Volts DC. Access to sensitivity adjustment for 0 to 10 VDC speed control. (Ref. pin connection).  
M (Mechanical): A potentiometer is available for speed control of the blower. The potentiometer can be preset for a specific speed. Access for speed adjustment located in blower housing.
  - **Approximate Weight:** 6 Lbs. / 2.2 Kg.
  - **Regulatory Agency Certification:** Underwriters Laboratories, Inc. qualified per UL507 under File E-94403. Canadian Standards Association qualified per C22.2#113 under File LR 43448.
  - **Miscellaneous:** Intake and exhaust tubes, all cooling ducts and vents must not be obstructed. Intake and exhaust must be free of grease, oil and foreign particles. Amp housing 640250-6 w/SL-156 contacts (supplied by customer) mates with post header assembly. Mating harness available upon request. Optional IntelliGen™ controller available for customized performance and features including: tachometer output card; Universal AC input (100V-240V).

This document is for informational purposes only and should not be considered as a binding description of the products or their performance in all applications. The performance data on this page depicts typical performance under controlled laboratory conditions. AMETEK is not responsible for blowers driven beyond factory specified speed, temperature, pressure, flow or without proper alignment. Actual performance will vary depending on the operating environment and application. AMETEK products are not designed for and should not be used in medical life support applications. AMETEK reserves the right to revise its products without notification. The above characteristics represent standard products. For product designed to meet specific applications, contact AMETEK Technical & Industrial Products Sales department.



Typical Performance



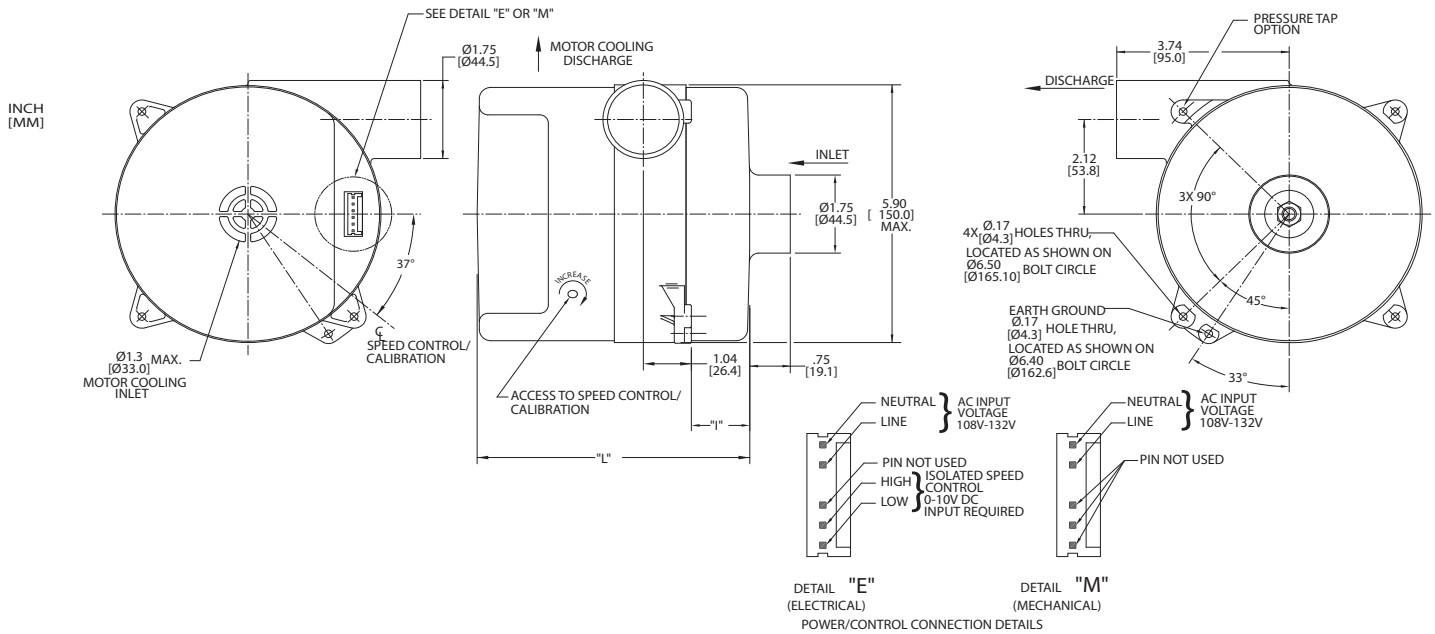
Data presented represents blower performance at STANDARD AIR DENSITY, .075 lb/ft<sup>3</sup> (29.92" Hg, Sea Level, 68° F)  
 Vacuum performance available upon request.

*This document is for informational purposes only and should not be considered as a binding description of the products or their performance in all applications. The performance data on this page depicts typical performance under controlled laboratory conditions. AMETEK is not responsible for blowers driven beyond factory specified speed, temperature, pressure, flow or without proper alignment. Actual performance will vary depending on the operating environment and application. AMETEK products are not designed for and should not be used in medical life support applications. AMETEK reserves the right to revise its products without notification. The above characteristics represent standard products. For product designed to meet specific applications, contact AMETEK Technical & Industrial Products Sales department.*

# High Voltage Brushless DC Blowers

## 5.7" (145mm) BLDC Bypass Blower

250 Watt, 120 Volt High Flow



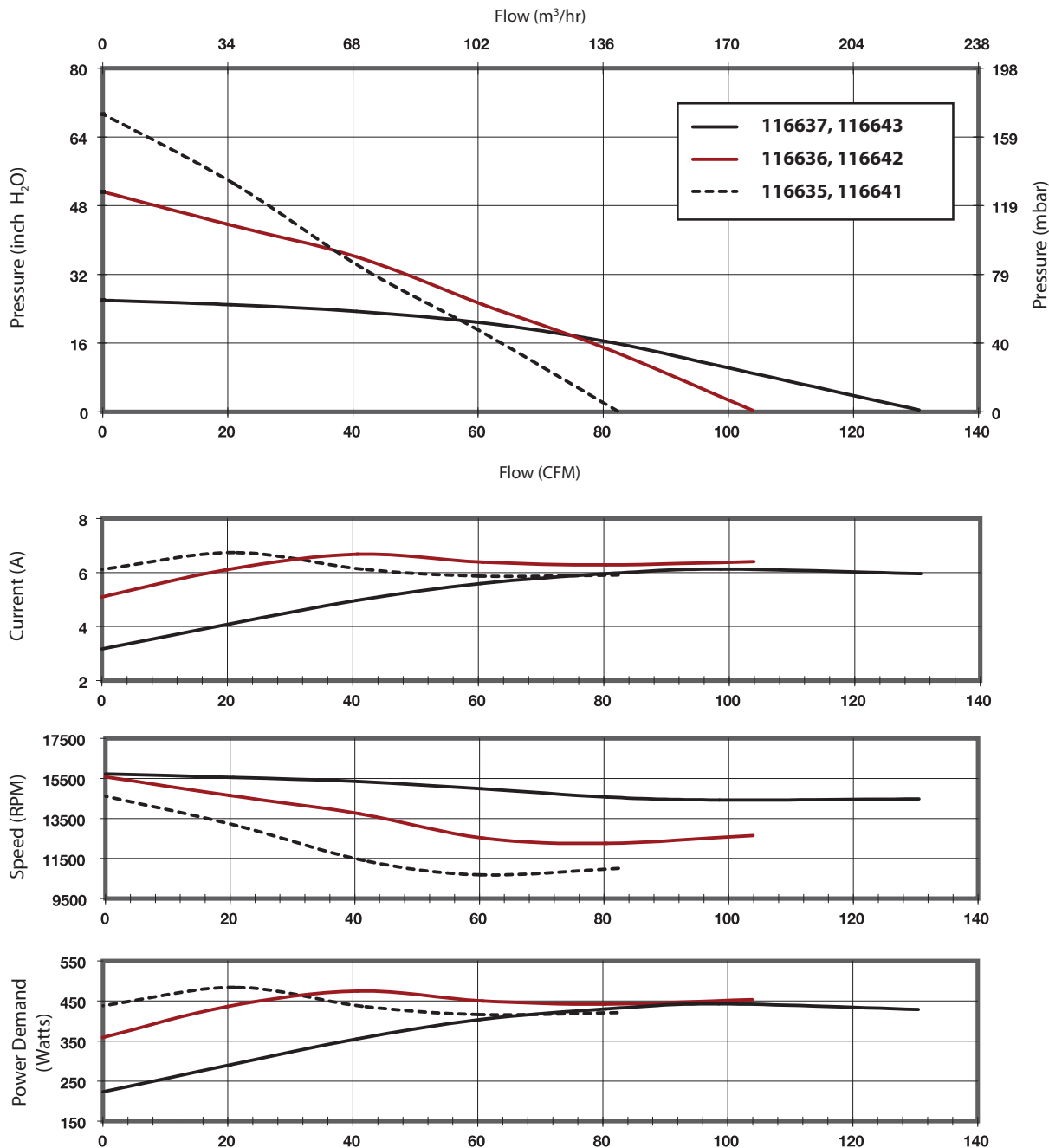
Specification	Units	Part/ Model Number					
		116637	116643	116636	116642	116635	116641
Stages	-	1	1	2	2	3	3
Max Sealed Vacuum	in. H2O	25.2	25.2	49.7	49.7	67.2	67.2
	mbar	62.8	62.8	123.8	123.8	167.4	167.4
Max Sealed Pressure	in. H2O	26.0	26.0	51.2	51.2	69.3	69.3
	mbar	64.8	64.8	127.5	127.5	172.6	172.6
Max Flow Rate	CFM	130.5	130.5	103.9	103.9	82.3	82.3
	m3/hr	221.9	221.9	176.6	176.6	139.9	139.9
Length (I)	Inches	0.47	0.47	1.53	1.53	2.53	2.53
	mm	11.9	11.9	38.9	38.9	64.3	64.3
Length (L)	Inches	5.22	5.22	6.27	6.27	7.28	7.28
	mm	132.6	132.6	159.3	159.3	184.9	184.9
Speed Control	-	Mechanical	Electrical	Mechanical	Electrical	Mechanical	Electrical

### Notes:

- Input Voltage Range:** 108-132 Volts AC RMS, 50/60 Hz., Single Phase.
- Input Current:** 5 amps AC RMS
- Operating Temperature (Ambient Air and Working Air):** 0° C to 50° C
- Storage Temperature:** -40° C to 85° C
- Dielectric Testing:** 1500 Volts AC RMS 60 Hz applied for one second between input pins and ground, 3mA leakage maximum.
- Speed Control:** E (Electrical) Pulse Width Modification or Analog input voltage (user supplied), 0 to 10 Volts DC, 10mA maximum, 3 to 15 Volts DC. Access to sensitivity adjustment for 0 to 10 VDC speed control. (Ref. pin connection).  
M (Mechanical): A potentiometer is available for speed control of the blower. The potentiometer can be preset for a specific speed. Access for speed adjustment located in blower housing.
- Approximate Weight:** 6 Lbs. / 2.2 Kg.
- Regulatory Agency Certification:** Underwriters Laboratories, Inc. qualified per UL507 under File E-94403. Canadian Standards Association qualified per C22.2#113 under File LR 43448.
- Miscellaneous:** Intake and exhaust tubes, all cooling ducts and vents must not be obstructed. Intake and exhaust must be free of grease, oil and foreign particles. Amp housing 640250-6 w/SL-156 contacts (supplied by customer) mates with post header assembly. Mating harness available upon request. Optional IntelliGen™ controller available for customized performance and features including: tachometer output card; Universal AC input (100V-240V).

This document is for informational purposes only and should not be considered as a binding description of the products or their performance in all applications. The performance data on this page depicts typical performance under controlled laboratory conditions. AMETEK is not responsible for blowers driven beyond factory specified speed, temperature, pressure, flow or without proper alignment. Actual performance will vary depending on the operating environment and application. AMETEK products are not designed for and should not be used in medical life support applications. AMETEK reserves the right to revise its products without notification. The above characteristics represent standard products. For product designed to meet specific applications, contact AMETEK Technical & Industrial Products Sales department.

Typical Performance



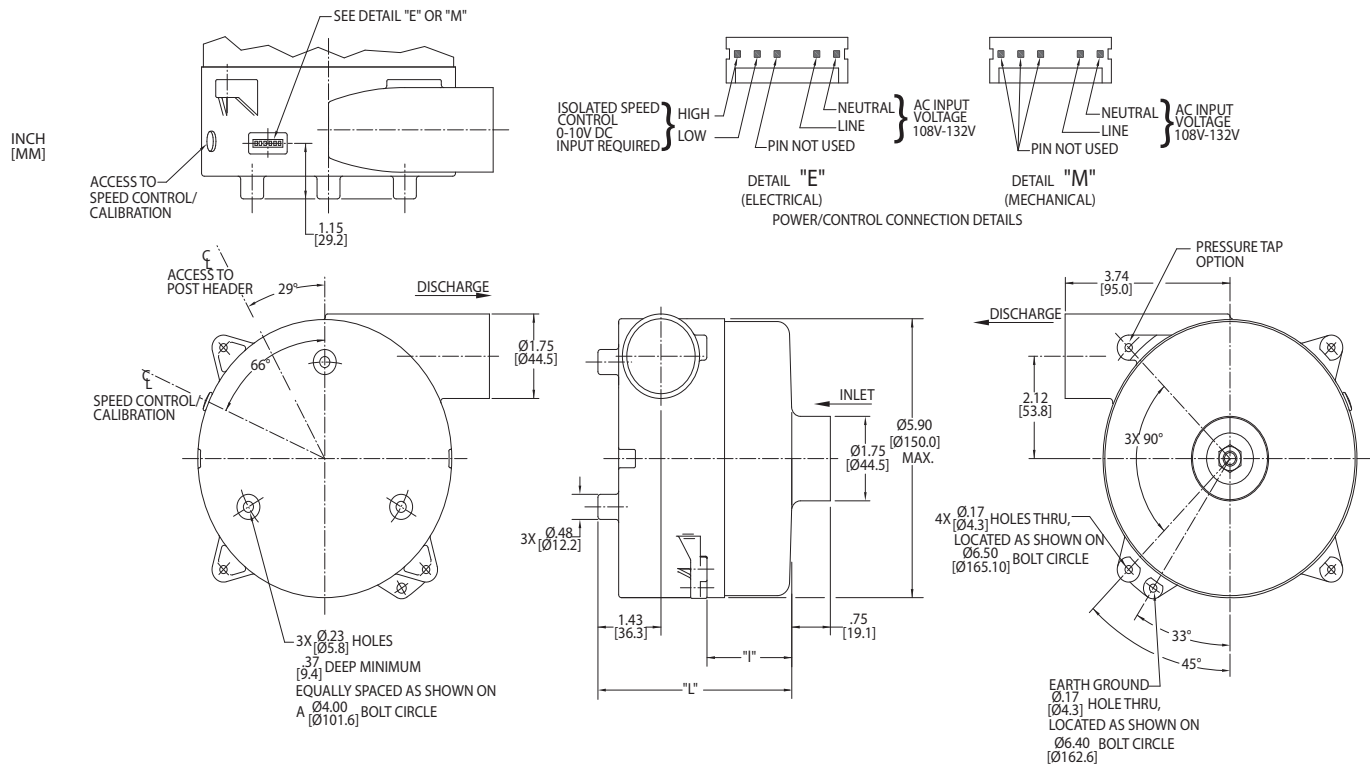
Data presented represents blower performance at STANDARD AIR DENSITY, .075 lb/ft<sup>3</sup> (29.92" Hg, Sea Level, 68° F) Vacuum performance available upon request.

*This document is for informational purposes only and should not be considered as a binding description of the products or their performance in all applications. The performance data on this page depicts typical performance under controlled laboratory conditions. AMETEK is not responsible for blowers driven beyond factory specified speed, temperature, pressure, flow or without proper alignment. Actual performance will vary depending on the operating environment and application. AMETEK products are not designed for and should not be used in medical life support applications. AMETEK reserves the right to revise its products without notification. The above characteristics represent standard products. For product designed to meet specific applications, contact AMETEK Technical & Industrial Products Sales department.*

# High Voltage Brushless DC Blowers

## 5.7" (145mm) BLDC Thru Flow Blower

250 Watt, 120 Volt High Flow



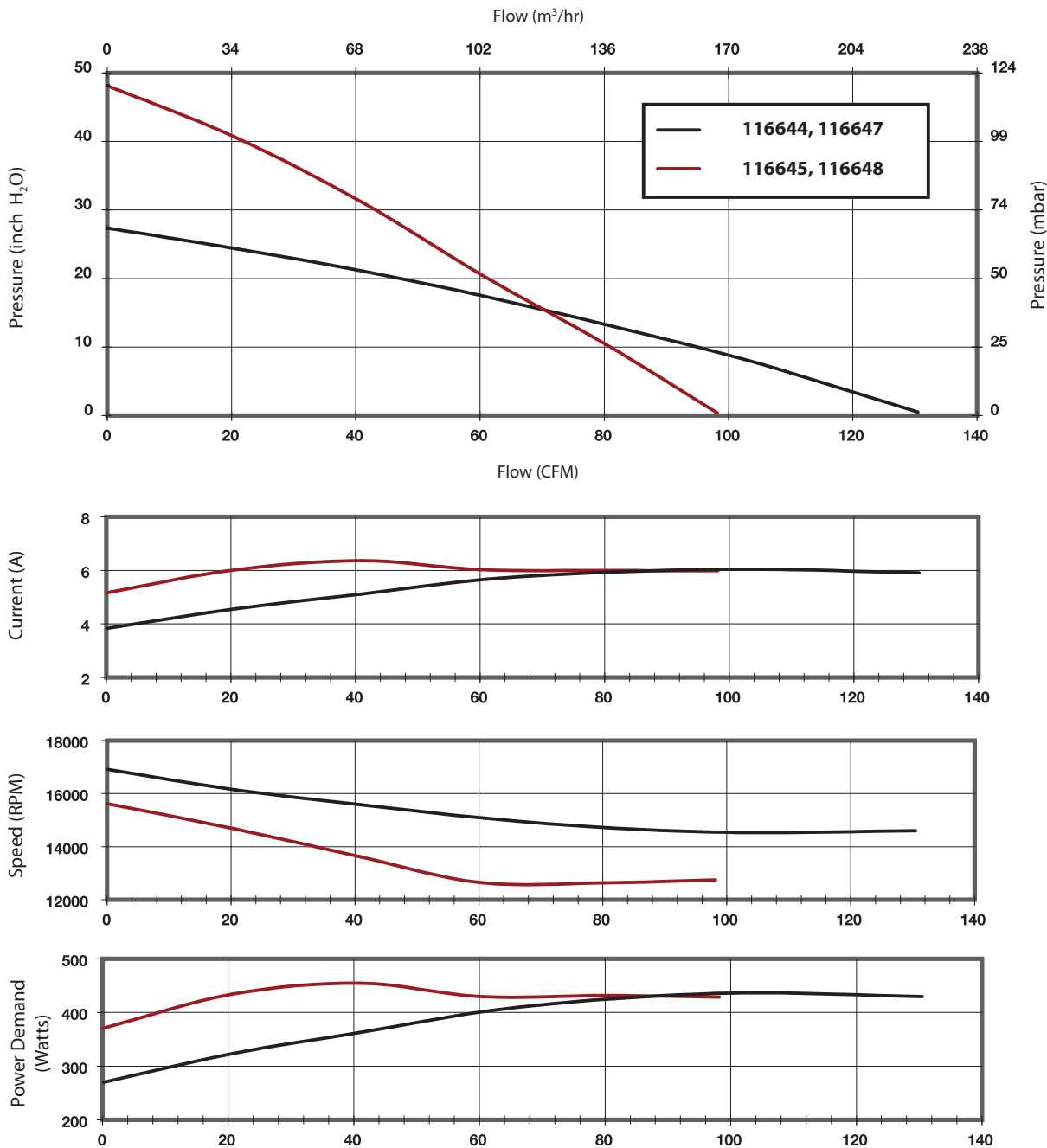
Specification	Units	Part/ Model Number			
		116644 M	116647 E	116645 M	116648 E
Stages	-	1	1	2	2
Max Sealed Vacuum	in. H2O	26.5	26.5	46.7	46.7
	mbar	66	66	116.3	116.3
Max Sealed Pressure	in. H2O	27.3	27.3	48.1	48.1
	mbar	68	68	119.8	119.8
Max Flow Rate	CFM	130.5	130.5	98.2	98.2
	m3/hr	221.9	221.9	166.9	166.9
Length (I)	Inches	0.76	0.76	1.81	1.81
	mm	19.3	19.3	46	46
Length (L)	Inches	3.23	3.23	4.28	4.28
	mm	82	82	108.7	108.7
Speed Control	-	Mechanical	Electrical	Mechanical	Electrical

### Notes:

- **Input Voltage Range:** 108-132 Volts AC RMS, 50/60 Hz., Single Phase.
- **Input Current:** 5 amps AC RMS
- **Operating Temperature (Ambient Air and Working Air):** 0° C to 50° C
- **Storage Temperature:** -40° C to 85° C
- **Dielectric Testing:** 1500 Volts AC RMS 60 Hz applied for one second between input pins and ground, 3mA leakage maximum.
- **Speed Control:** E (Electrical) Pulse Width Modification or Analog input voltage (user supplied), 0 to 10 Volts DC, 10mA maximum, 3 to 15 Volts DC. Access to sensitivity adjustment for 0 to 10 VDC speed control. (Ref. pin connection).  
M (Mechanical): A potentiometer is available for speed control of the blower. The potentiometer can be preset for a specific speed. Access for speed adjustment located in blower housing.
- **Approximate Weight:** 6 Lbs. / 2.2 Kg.
- **Regulatory Agency Certification:** Underwriters Laboratories, Inc. qualified per UL507 under File E-94403. Canadian Standards Association qualified per C22.2#113 under File LR 43448.
- **Miscellaneous:** Intake and exhaust tubes, all cooling ducts and vents must not be obstructed. Intake and exhaust must be free of grease, oil and foreign particles. Amp housing 640250-6 w/SL-156 contacts (supplied by customer) mates with post header assembly. Mating harness available upon request. Optional IntelliGen™ controller available for customized performance and features including: tachometer output card; Universal AC input (100V-240V).

This document is for informational purposes only and should not be considered as a binding description of the products or their performance in all applications. The performance data on this page depicts typical performance under controlled laboratory conditions. AMETEK is not responsible for blowers driven beyond factory specified speed, temperature, pressure, flow or without proper alignment. Actual performance will vary depending on the operating environment and application. AMETEK products are not designed for and should not be used in medical life support applications. AMETEK reserves the right to revise its products without notification. The above characteristics represent standard products. For product designed to meet specific applications, contact AMETEK Technical & Industrial Products Sales department.

Typical Performance



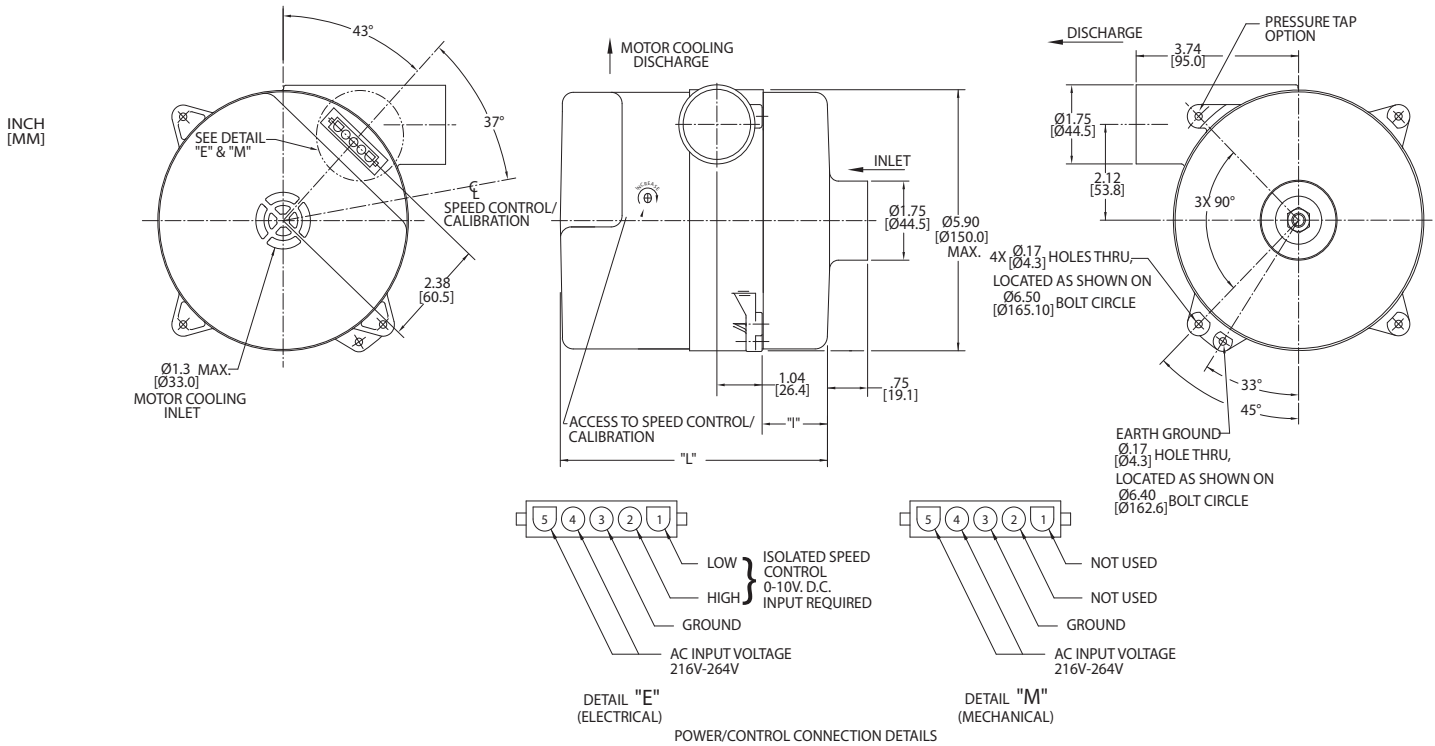
Data presented represents blower performance at STANDARD AIR DENSITY, .075 lb/ft<sup>3</sup> (29.92" Hg, Sea Level, 68° F) Vacuum performance available upon request.

*This document is for informational purposes only and should not be considered as a binding description of the products or their performance in all applications. The performance data on this page depicts typical performance under controlled laboratory conditions. AMETEK is not responsible for blowers driven beyond factory specified speed, temperature, pressure, flow or without proper alignment. Actual performance will vary depending on the operating environment and application. AMETEK products are not designed for and should not be used in medical life support applications. AMETEK reserves the right to revise its products without notification. The above characteristics represent standard products. For product designed to meet specific applications, contact AMETEK Technical & Industrial Products Sales department.*

# High Voltage Brushless DC Blowers

## 5.7" (145mm) BLDC Bypass Blower

400 Watt, 240 Volt High Flow



Specification	Units	Part/ Model Number					
		117637	117643	117636	117642	117635	117641
Stages	-	1	1	2	2	3	3
Max Sealed Vacuum	in. H2O	22	22	39	39	53	53
	mbar	54.8	54.8	97.1	97.1	132	132
Max Sealed Pressure	in. H2O	24	24	45	45	61	61
	mbar	59.8	59.8	112.1	112.1	152	152
Max Flow Rate	CFM	106	106	95	95	90	90
	m3/hr	180.2	180.2	161.5	161.5	153	153
Length (I)	Inches	.47	.47	1.53	1.53	2.53	2.53
	mm	11.9	11.9	38.9	38.9	64.3	64.3
Length (L)	Inches	5.22	5.22	6.27	6.27	7.28	7.28
	mm	132.6	132.6	159.3	159.3	184.9	184.9
Speed Control	-	Mechanical	Electrical	Mechanical	Electrical	Mechanical	Electrical

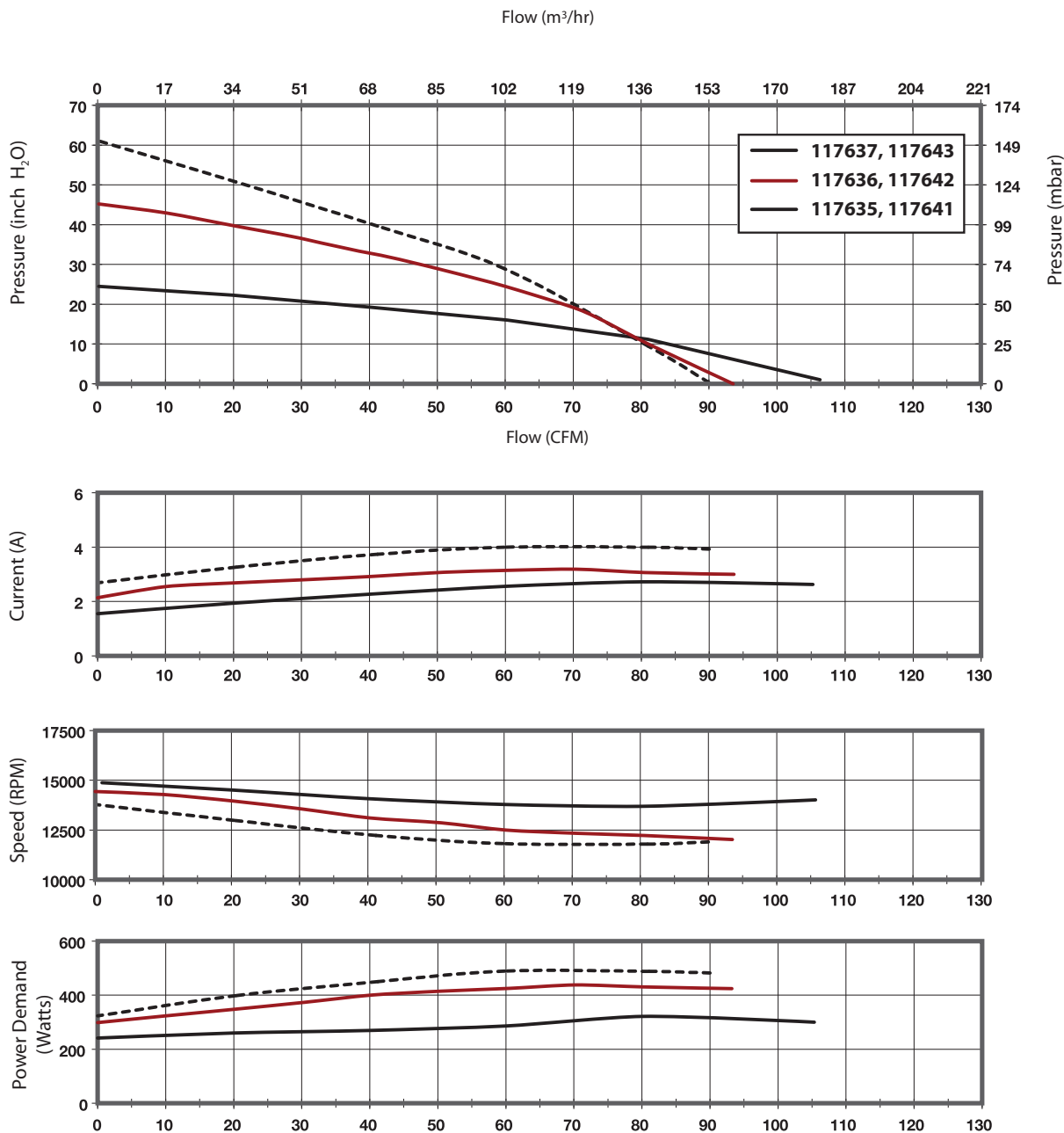


### Notes:

- Input Voltage Range:** 216-264 Volts AC RMS, 50/60 Hz., Single Phase.
- Input Current:** 5 amps AC RMS
- Operating Temperature (Ambient Air and Working Air):** 0° C to 50° C
- Storage Temperature:** -40° C to 85° C
- Dielectric Testing:** 1800 Volts AC RMS 60 Hz applied for one second between input pins and ground, 3mA leakage maximum.
- Speed Control:** E (Electrical) Pulse Width Modification or Analog input voltage (user supplied), 0 to 10 Volts DC, 10mA maximum, 3 to 15 Volts DC. Access to sensitivity adjustment for 0 to 10 VDC speed control. (Ref. pin connection).  
M (Mechanical): A potentiometer is available for speed control of the blower. The potentiometer can be preset for a specific speed. Access for speed adjustment located in blower housing.
- Approximate Weight:** 6 Lbs. / 2.2 Kg.
- Regulatory Agency Certification:** Underwriters Laboratories, Inc. qualified per UL507 under File E-94403. Canadian Standards Association qualified per C22.2#113 under File LR 43448.
- Miscellaneous:** Intake and exhaust tubes, all cooling ducts and vents must not be obstructed. Intake and exhaust must be free of grease, oil and foreign particles. Amp housing 350809-1 with sockets for 18 awg lead wire (supplied by customer) mates with post header assembly. Mating harness available upon request. Optional IntelliGen™ controller available for customized performance and features including; tachometer output card; Universal AC input (100V-240V).

This document is for informational purposes only and should not be considered as a binding description of the products or their performance in all applications. The performance data on this page depicts typical performance under controlled laboratory conditions. AMETEK is not responsible for blowers driven beyond factory specified speed, temperature, pressure, flow or without proper alignment. Actual performance will vary depending on the operating environment and application. AMETEK products are not designed for and should not be used in medical life support applications. AMETEK reserves the right to revise its products without notification. The above characteristics represent standard products. For product designed to meet specific applications, contact AMETEK Technical & Industrial Products Sales department.

Typical Performance



Data presented represents blower performance at STANDARD AIR DENSITY, .075 lb/ft<sup>3</sup> (29.92" Hg, Sea Level, 68° F)  
 Vacuum performance available upon request.

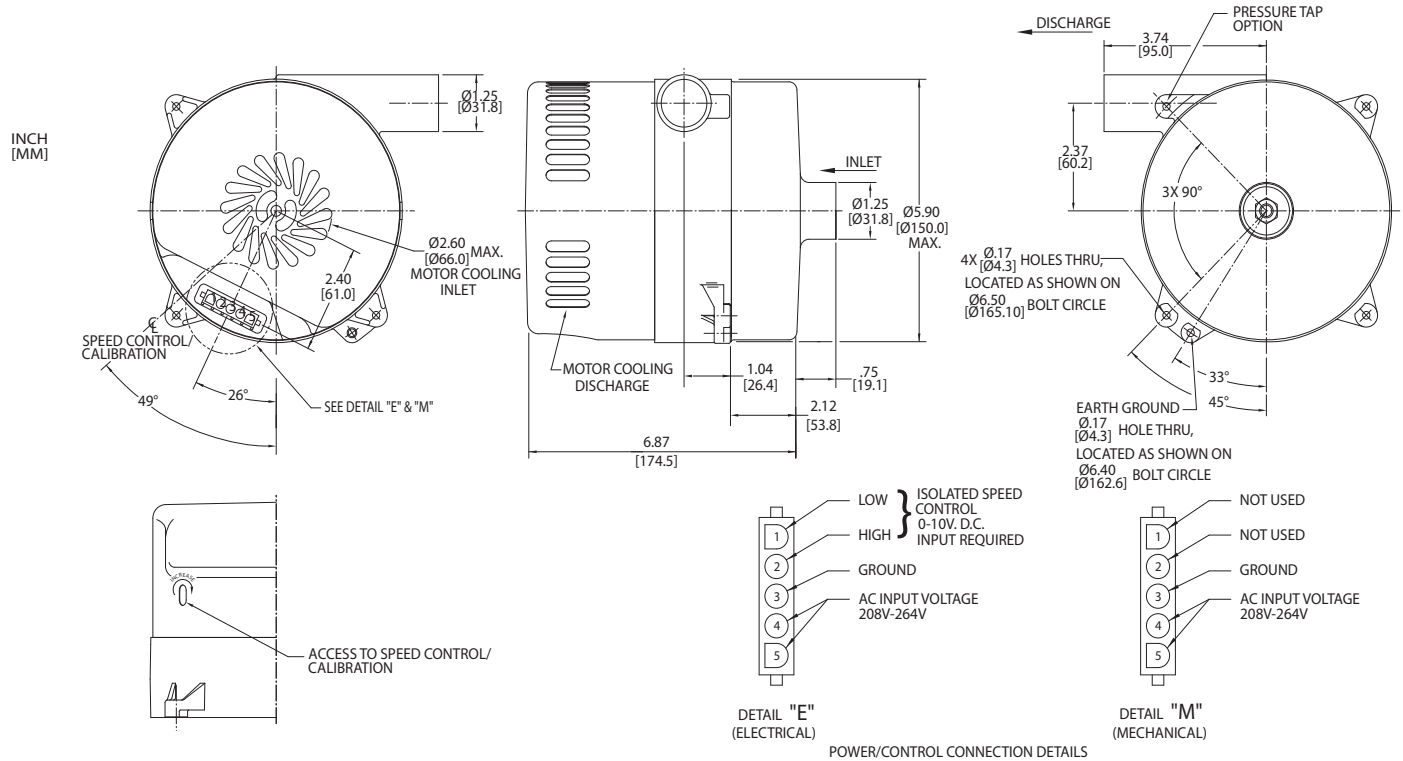
*This document is for informational purposes only and should not be considered as a binding description of the products or their performance in all applications. The performance data on this page depicts typical performance under controlled laboratory conditions. AMETEK is not responsible for blowers driven beyond factory specified speed, temperature, pressure, flow or without proper alignment. Actual performance will vary depending on the operating environment and application. AMETEK products are not designed for and should not be used in medical life support applications. AMETEK reserves the right to revise its products without notification. The above characteristics represent standard products. For product designed to meet specific applications, contact AMETEK Technical & Industrial Products Sales department.*



# High Voltage Brushless DC Blowers

## 5.7" (145mm) BLDC Bypass Blower

1200 Watt, 240 Volt Standard Flow - IntelliGen (TM)



Specification	Units	Part/ Model Number	
		117416	117415
Stages	-	3	3
Max Sealed Vacuum	in. H2O	154	154
	mbar	383.6	383.6
Max Sealed Pressure	in. H2O	169	169
	mbar	421	421
Max Flow Rate	CFM	87	87
	m3/hr	147.9	147.9
Speed Control	-	Mechanical	Electrical

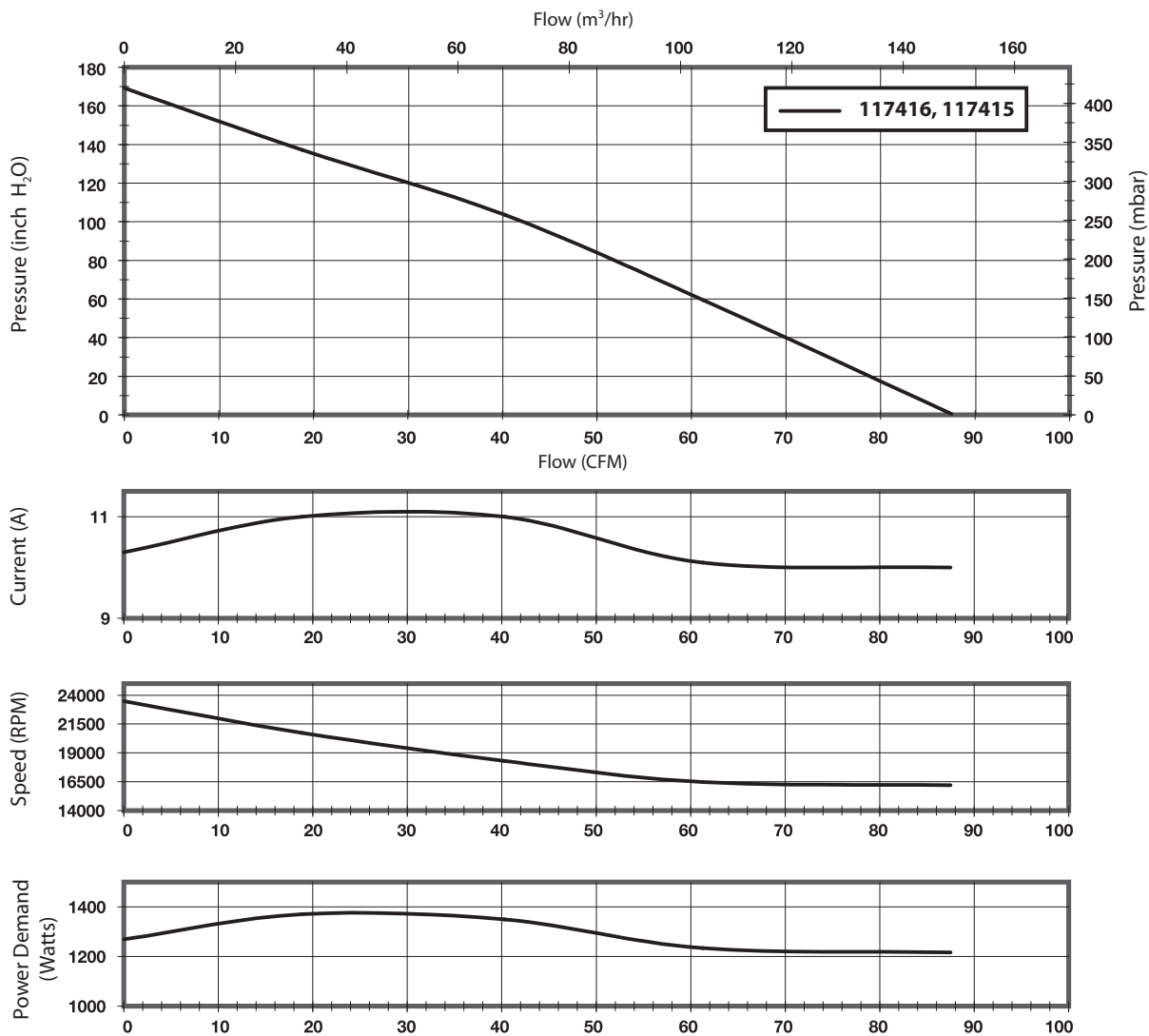


### Notes:

- Input Voltage Range:** 208-264 Volts AC RMS, 50/60 Hz., Single Phase, maximum running current 10 Amps RMS.  
Note: Although this unit contains a lock-out feature that detects low voltage conditions, the electronics should not be operated continuously below the input voltage range listed above.
- Operating Temperature (Ambient Air and Working Air):** 0° C to 50° C
- Storage Temperature:** -40° C to 85° C (Internal electronic controller is thermally protected).
- Dielectric Testing:** 1800 Volts AC RMS 60 Hz applied for one second between input pins and ground, 3mA leakage maximum.
- Isolated Speed Control:**  
Analog Input Voltage Range: 2 to +10 VDC nominal (+13.5 VDC maximum).  
Digital Pulse Input: 400 Hz to 20 KHz, 0 to +10 volt pulse nominal, minimum duty cycle 10%, 0 to +13.5 volt maximum.  
Note: Setting of onboard potentiometer can effect control voltage range and maximum speed can be attained before reaching 10 VDC
- Speed Control Input Current:** 5 mA to 20mA at 10 Volts input with multi-turn potentiometer set to minimum resistance (fully clockwise).
- Speed Control Drift with Temperature:**  
Analog Mode: Typ. +4% from nominal speed at +23 C.  
Digital or Direct Mode: Typ. +4% from nominal speed at 23 C.
- Approximate Weight:** 6 Lbs. / 2.2 Kg.
- Regulatory Agency Certification:** Underwriters Laboratories, Inc. qualified per UL507 under File E-94403. Canadian Standard Association qualified per C22.2#113 under File LR 43448.
- Miscellaneous:** Intake and exhaust tubes, all cooling ducts and vents must not be obstructed. Intake and exhaust must be free of grease, oil and foreign particles. Amp housing 350809-1 with male pins on 16 awg lead wire (supplied by customer) mates with post header assembly. Mating harness available upon request.

This document is for informational purposes only and should not be considered as a binding description of the products or their performance in all applications. The performance data on this page depicts typical performance under controlled laboratory conditions. AMETEK is not responsible for blowers driven beyond factory specified speed, temperature, pressure, flow or without proper alignment. Actual performance will vary depending on the operating environment and application. AMETEK products are not designed for and should not be used in medical life support applications. AMETEK reserves the right to revise its products without notification. The above characteristics represent standard products. For product designed to meet specific applications, contact AMETEK Technical & Industrial Products Sales department.

Typical Performance



Data presented represents blower performance at STANDARD AIR DENSITY, .075 lb/ft<sup>3</sup> (29.92" Hg, Sea Level, 68° F)  
 Vacuum performance available upon request.

**INSTALLATION:**

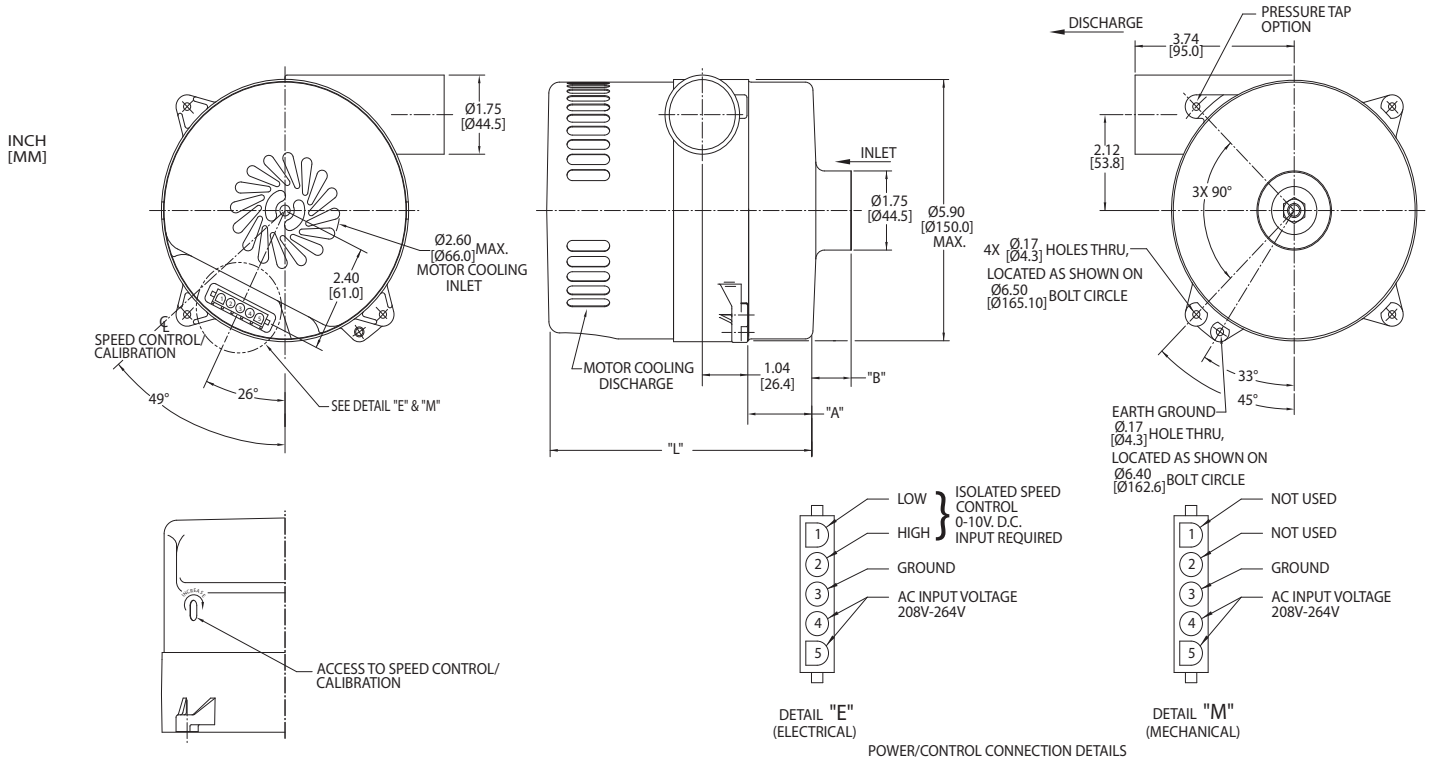
- The blower must be secured using mounting tabs, prior to applying power. This is a high speed device with rapid acceleration.
- Connections:  
 All of the Windjammer IntelliGen™ series blowers have a standard 5 pin connector.  
 A mating connector with leads is supplied with single pack units only.  
 Negative pressure applications will exhibit reduced performance.  
 Exhaust air must be prohibited from being recycled to inlet air.  
 If blower is to be cycled frequently, the DC speed command should be used.  
 For use in industrial applications, use AMETEK Technical & Industrial Products cooling air filters.  
 Note: Utilize AMETEK external EMC filter accessory to meet EN61000-4-6 requirement.
- Option Circuit Connections: Please consult with AMETEK for connection details for all options and custom circuitry.
- Utilizes AMETEK's IntelliGen™ control electronics.

*This document is for informational purposes only and should not be considered as a binding description of the products or their performance in all applications. The performance data on this page depicts typical performance under controlled laboratory conditions. AMETEK is not responsible for blowers driven beyond factory specified speed, temperature, pressure, flow or without proper alignment. Actual performance will vary depending on the operating environment and application. AMETEK products are not designed for and should not be used in medical life support applications. AMETEK reserves the right to revise its products without notification. The above characteristics represent standard products. For product designed to meet specific applications, contact AMETEK Technical & Industrial Products Sales department.*

# High Voltage Brushless DC Blowers

## 5.7" (145mm) BLDC Bypass Blower

1200 Watt, 240 Volt High Flow - IntelliGen (TM)



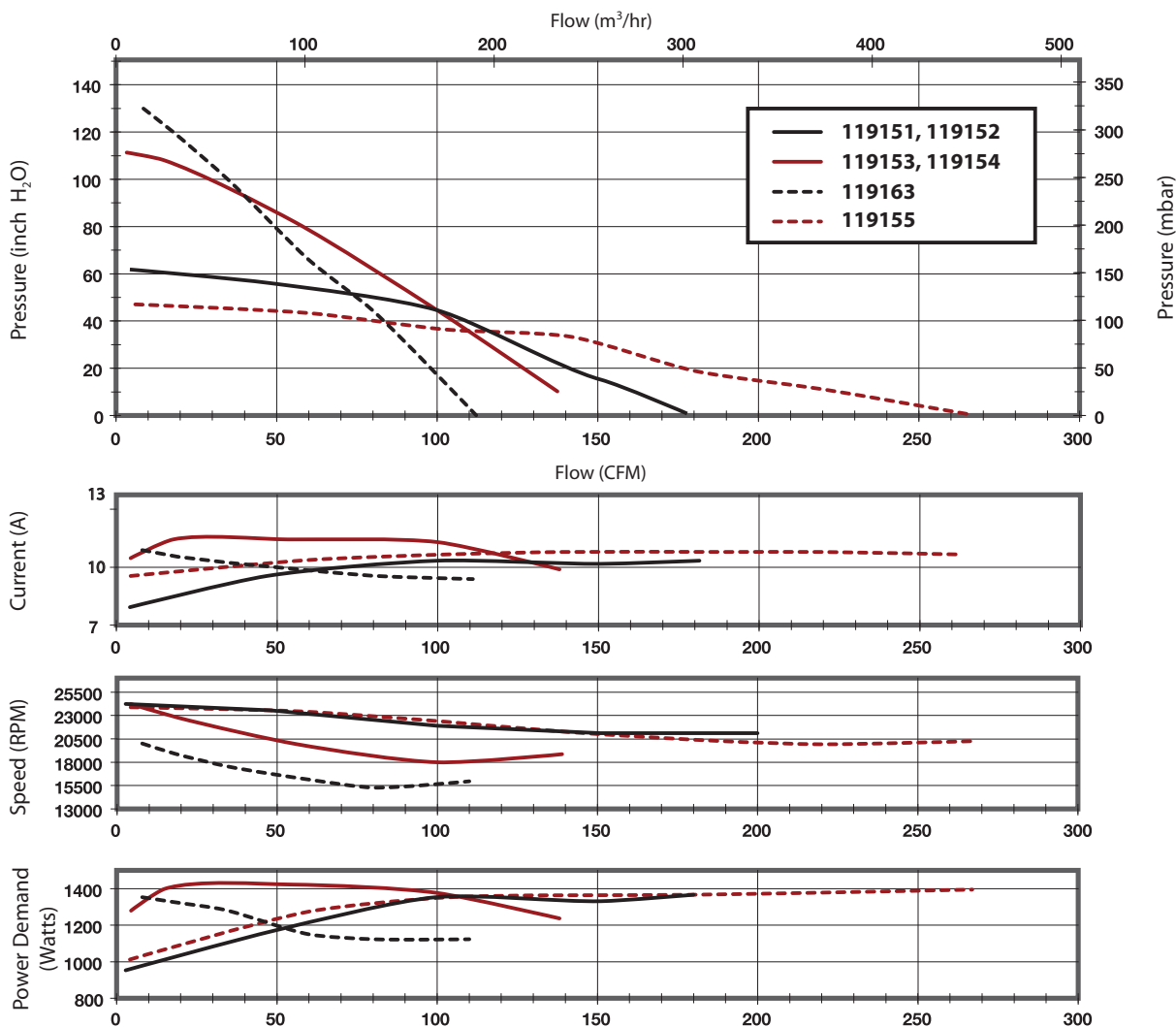
Specification	Units	Part/ Model Number					
		119152	119151	119154	119153	119156	119155
Flow	-	High Flow	High Flow	High Flow	High Flow	High Flow	Ultra High Flow
Stages	-	1	1	2	2	3	1
Max Sealed Vacuum	in. H2O mbar	46 114.6	46 114.6	80 199.3	80 199.3	119 296.4	42 104.6
Max Sealed Pressure	in. H2O mbar	56 139.5	56 139.5	111 276.5	111 276.5	130 323.8	45 112.1
Max Flow Rate	CFM m3/hr	180 306	180 306	140 238	140 238	113 192.1	268 455.6
Inlet/Outlet Diameter	Inches mm	1.75 44.5	1.75 44.5	1.75 44.5	1.75 44.5	1.75 44.5	2.75/2.50 69.9/63.5
Length (I)	Inches mm	.47 11.9	.47 11.9	1.58 40.1	1.58 40.1	1.19 30.2	0.71 18
Length (L)	Inches mm	5.13 130.3	5.13 130.3	6.19 157.2	6.19 157.2	7.17 182.1	5.37 136.4
Speed Control	-	Mechanical	Electrical	Mechanical	Electrical	Electrical	Electrical

**Notes:**

- Input Voltage Range:** 216-264 Volts AC RMS, 50/60 Hz., Single Phase, maximum running current 10 Amps RMS.  
Note: Although this unit contains a lock-out feature that detects low voltage conditions, the electronics should not be operated continuously below the input voltage range listed above.
- Operating Temperature (Ambient Air and Working Air):** 0° C to 50° C
- Storage Temperature:** -40° C to 85° C (Internal electronic controller is thermally protected).
- Dielectric Testing:** 1800 Volts AC RMS 60 Hz applied for one second between input pins and ground, 3mA leakage maximum.
- Isolated Speed Control:**  
Analog Input Voltage Range: 2 to +10 VDC nominal (+13.5 VDC maximum).  
Digital Pulse Input: 400 Hz to 20 KHz, 0 to +10 volt pulse nominal, minimum duty cycle 10%, 0 to +13.5 volt maximum.  
Note: Setting of onboard potentiometer can effect control voltage range and maximum speed can be attained before reaching 10 VDC
- Speed Control Input Current:** 5 mA to 20mA at 10 Volts input with multi-turn potentiometer set to minimum resistance (fully clockwise).
- Speed Control Drift with Temperature:**  
Analog Mode: Typ. ±4% from nominal speed at +23 C.  
Digital or Direct Mode: Typ. ±4% from nominal speed at 23 C.
- Approximate Weight:** 6 Lbs. / 2.2 Kg.
- Regulatory Agency Certification:** Underwriters Laboratories, Inc. qualified per UL507 under File E-94403. Canadian Standard Association qualified per C22.2#113 under File LR 43448.
- Miscellaneous:** Intake and exhaust tubes, all cooling ducts and vents must not be obstructed. Intake and exhaust must be free of grease, oil and foreign particles. Amp housing 350809-1 with male pins on 16 awg lead wire (supplied by customer) mates with post header assembly.  
Mating harness available upon request.

This document is for informational purposes only and should not be considered as a binding description of the products or their performance in all applications. The performance data on this page depicts typical performance under controlled laboratory conditions. AMETEK is not responsible for blowers driven beyond factory specified speed, temperature, pressure, flow or without proper alignment. Actual performance will vary depending on the operating environment and application. AMETEK products are not designed for and should not be used in medical life support applications. AMETEK reserves the right to revise its products without notification. The above characteristics represent standard products. For product designed to meet specific applications, contact AMETEK Technical & Industrial Products Sales department.

Typical Performance



Data presented represents blower performance at STANDARD AIR DENSITY, .075 lb/ft<sup>3</sup> (29.92" Hg, Sea Level, 68° F)  
 Vacuum performance available upon request.

INSTALLATION:

- The blower must be secured using mounting tabs, prior to applying power. This is a high speed device with rapid acceleration.
- Connections:
  - All of the Windjammer IntelliGen™ series blowers have a standard 5 pin connector.
  - A mating connector with leads is supplied with single pack units only.
  - Negative pressure applications will exhibit reduced performance.
  - Exhaust air must be prohibited from being recycled to inlet air.
  - If blower is to be cycled frequently, the DC speed command should be used.
  - For use in industrial applications, use AMETEK Technical & Industrial Products cooling air filters.
  - Note: Utilize AMETEK external EMC filter accessory to meet EN61000-4-6 requirement.
- Option Circuit Connections: Please consult with AMETEK for connection details for all options and custom circuitry.
- Utilizes AMETEK's IntelliGen™ control electronics.

*This document is for informational purposes only and should not be considered as a binding description of the products or their performance in all applications. The performance data on this page depicts typical performance under controlled laboratory conditions. AMETEK is not responsible for blowers driven beyond factory specified speed, temperature, pressure, flow or without proper alignment. Actual performance will vary depending on the operating environment and application. AMETEK products are not designed for and should not be used in medical life support applications. AMETEK reserves the right to revise its products without notification. The above characteristics represent standard products. For product designed to meet specific applications, contact AMETEK Technical & Industrial Products Sales department.*

## AMETEK, Inc.

AMETEK is a leading global manufacturer of electronic instruments and electromechanical devices with annualized sales of more than \$2.5 billion. AMETEK has nearly 11,000 colleagues working at more than 80 manufacturing facilities and more than 60 sales and service centers in the United States and over 30 other countries around the world.

### AMETEK Technical & Industrial Products (TIP)

AMETEK Technical & Industrial Products is a world leader in motors, blowers and pumps for mass-transit, medical, business machine and computer applications. It also is a leader in regenerative blowers for pressure and vacuum applications used by broad range of industries.

AMETEK supports its customers globally from its manufacturing facilities in Minnesota, New York, North Carolina, Ohio, Pennsylvania, Italy and China. Our brushless DC motors, blowers, controllers, pumps, and fans are ideally suited for a wide range of applications, including medical instruments, robotics, pumps, compressors, office equipment, fans, machine tools, tape drives, or any other precise rotary motion/air delivery applications.

Technical & Industrial Products' product line of regenerative blowers for pressure and vacuum applications services the process, industrial, environmental, waste, and wastewater industrial industry. Typical applications areas include solution agitation and aeration, pneumatic conveying, part hold-down and pick up, part blow off, gas and fume extraction, and process gas handling.

AMETEK Technical & Industrial Products supplies the solution for unique performance, mounting, environmental and agency requirements.

Windjammer®  
BRUSHLESS BLOWERS

PITTMAN®

ROTRON®

Nautilair

*Your Choice Our Commitment™*

**AMETEK**  
TECHNICAL & INDUSTRIAL PRODUCTS

627 Lake Street, Kent, OH 44240 U.S.A.

Tel: +1 215-256-6601 • Fax: +1 330-677-3306 • [www.ametektip.com](http://www.ametektip.com)

Europe: +44 (0) 845 366 9664 • Asia: +86 21 5763 1258