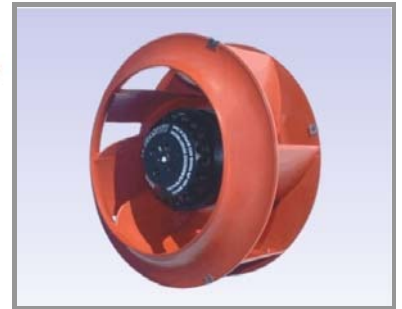
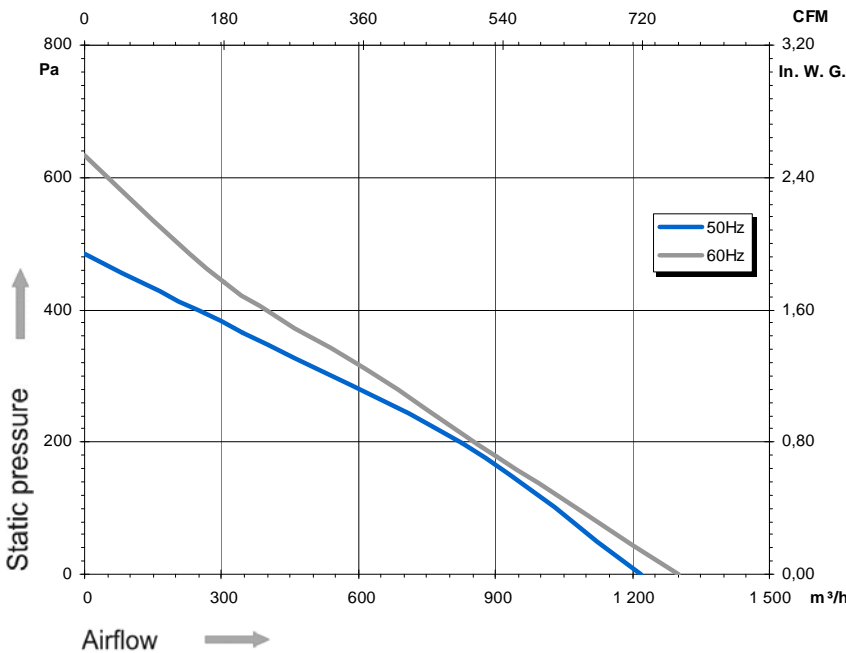
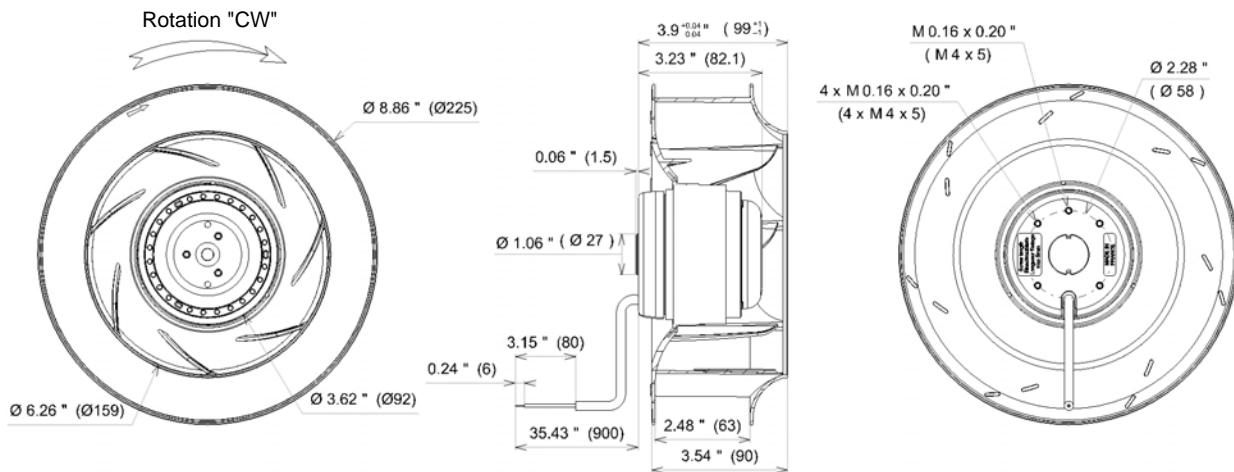


2RREu35 225x63R P/N C25-A4

Voltage	Frequency	Input power	Current	Capacitor	Airflow	Speed rotation	Noise level	Rotation direction	Operating temperature	ErP 2013	ErP 2015
V	Hz	Wa	A	μF	m³/h	RPM	dBA	↻	Min / Max		
230	50	143	0,63	4,0	1 220	2 505	68	R	-40°C / +70°C	NOK	NOK
230	60	197	0,86	4,0	1 300	2 640	70	R	-40°C / +70°C		
230	50				718 CFM				-40°F / +158°F		
230	50				765 CFM				-40°F / +158°F		



dBa : free let out



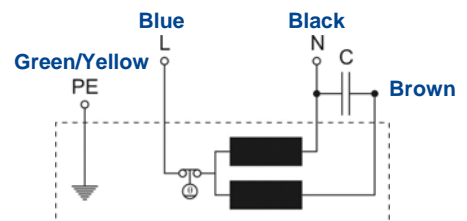
- Weight : 2,4 Kg
- Ball bearing
- Class F, thermally protected
- IP44 protection depending on installation and position as per EN60034-5
- G2.5 balancing
- Rotor : black paint
- PA 6/6 UL 94 V-0 plastic impeller
- UL approved motor



UL2111 (XEW2,8)
N° File E135223
2RS935



Capacitor for 50Hz	Capacitor for 60Hz	Inlet cone
19220	19220	16214



Non contractual document. All specifications are subject to change without prior notice. Picture for information only.