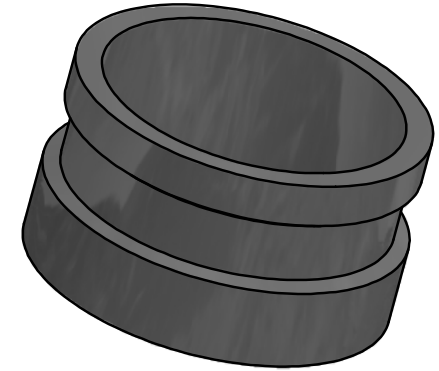
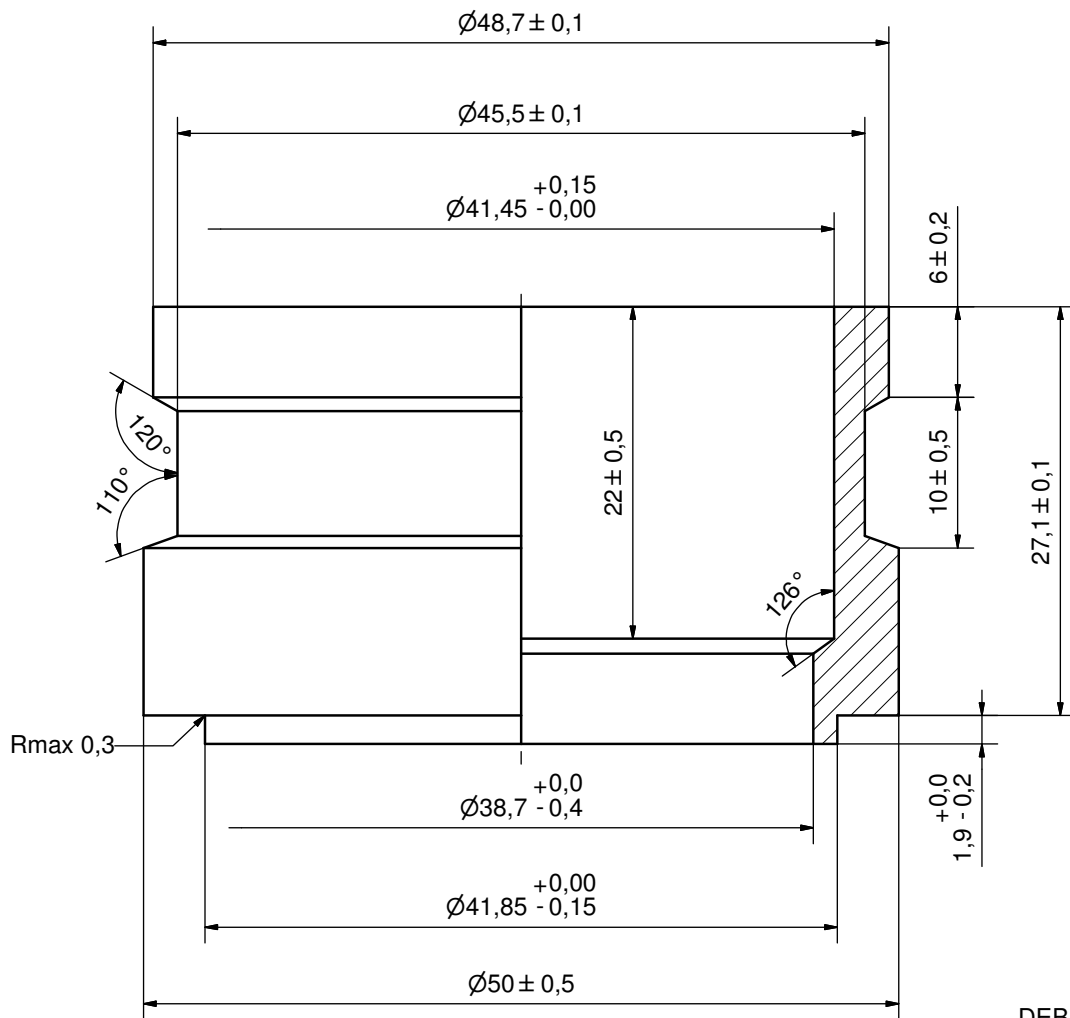


Rev No.	Alteration	Date	Checked	Approved
5	ADDED DEBURR AND MATERIAL INFO	2009/08/04	RJ	PDM



DEBURR SHARP EDGES; MAX 0.4

ACCORDING TO MQS

MATERIAL

Drawn	Checked	Approved	Created Date	General geometrical tolerancing ISO 2768	General surface finish $R_a$	Scale
EG	EG	BOS	1995-02-16	m	3.2	-
				Title		
				<b>SOLDER <math>\varnothing 41,4</math></b>		
Article number		Drawing number		Revision	Sheet	
-		CD000214		5	1 (1)	