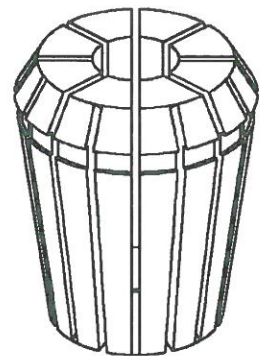
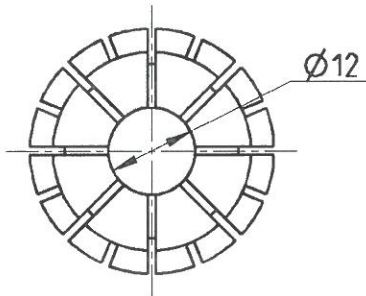
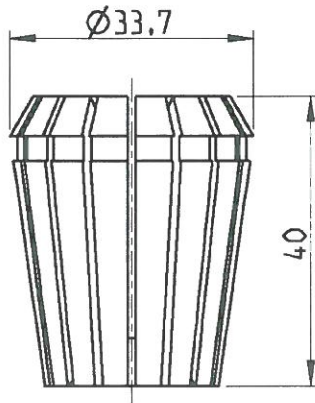


22/05/2017

It may not be copied or communicated to third parties without the owner's authorization.

THIS DOCUMENT is the property of M.R. EQUIPEMENT 15, rue de Quimper F-68060 MULHOUSE

0 1 2 3 4 5



1:1

REFERENCE: COLLET ESX12-12

MAKER: SCHAUBLIN S.A.
RUE DE LA BLANCHERIE 9
2800 DELEMONT
SWITZERLAND

| | | | | |
|----------|---------------|-----------------|------------------------|-------------------|
| Material | Treatment | Heat resistance | Superficial resistance | Aspect |
| - | - | - | - | - |
| Drawn by | Creation date | Modified by | Modification number | Modification date |
| NRF | 15-Dec-14 | - | - | - |



| | | | | |
|-------------------|-------------|-----------------|--|--|
| Designation | | PINCE -- COLLET | | |
| Scale | | Drawing number | | |
| 1:1 | | F342032120 | | |
| General tolerance | | Folio | | |
| ISO 2768 - m K | | 1/1 | | |
| Machine | Weight (kg) | Revision | | |
| - | 0,126 | 00 | | |