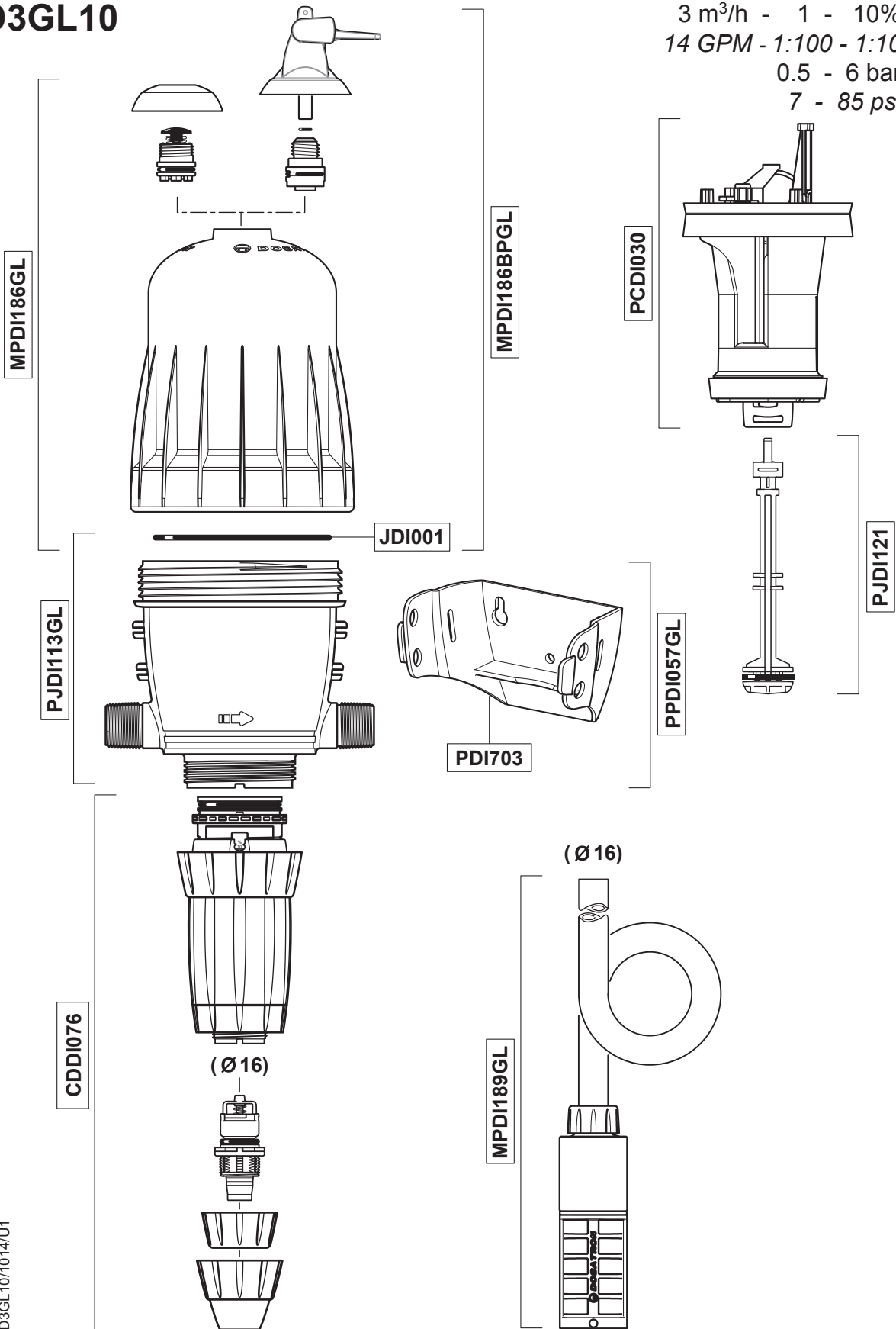


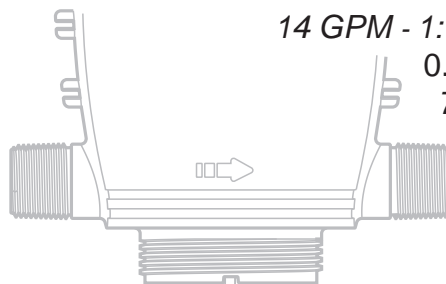
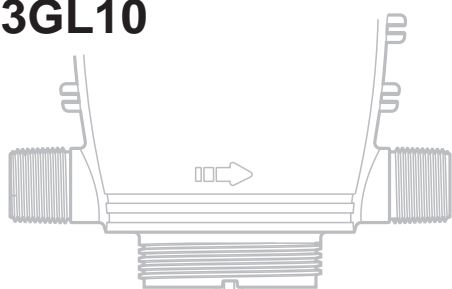
D3GL10

3 m³/h - 1 - 10%
 14 GPM - 1:100 - 1:10
 0.5 - 6 bar
 7 - 85 psi



D3GL10

3 m³/h - 1 - 10%
14 GPM - 1:100 - 1:10
0.5 - 6 bar
7 - 85 psi



CDDI076

PJD122

© DOSATRON INTERNATIONAL S.A.S. 2014
D3GL10/1014/U2

