

Flow-Through Fittings

Chem

Water



ARF 215 Flow-Through Fitting

Highly variable flow-through fitting line made of plastic

Modular, versatile system design with different connection geometries and process connections. For measurements in main stream or bypass. Materials: PP for standard applications and PVDF for chemically demanding applications. Adapter for a broad variety of sensors for pH, ORP, temperature, contacting and noncontacting conductivity, as well as dissolved oxygen.

Protective cap with integrated electrolyte reservoir for refillable pH sensors with liquid filling. Simplified calibration for pH and conductivity due to special calibration beaker with correct consideration of fitting geometry and material.

A large flow cross-section and integrated cleaning nozzles also make it suitable for polluted media.

Applications

- PP-H: drinking water, industrial water, and cooling water
- PVDF: increased chemical resistance; for corrosive process media with 6 bars and 100 °C.

Facts

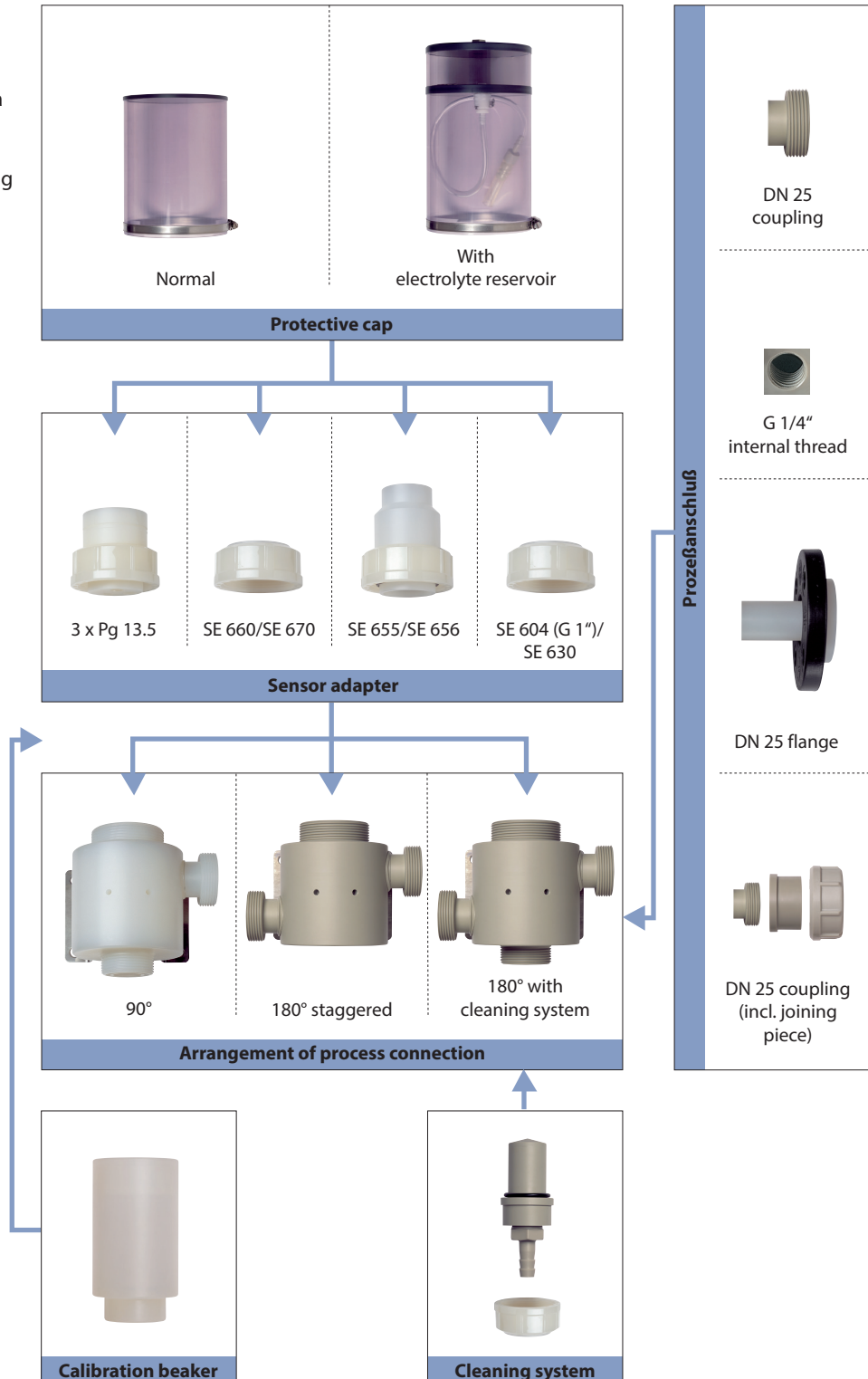
- modular system adaptable to virtually every process due to different
 - sensor adapters
 - materials
 - process connections
- materials: PP-H or PVDF
- measurement in main stream or bypass
- cleaning system

Specifications

Material:	see product line (page 188)
Process connection:	see product line (page 188)
Sensor adapter:	see product line (page 188)
Pressure:	PP-H: 1.5 bars (90 °C), 6 bars (40 °C) PVDF: 3 bars (120 °C), 6 bars (100 °C)
Temperature:	PP-H: 0 ... 90 °C PVDF: -20 ... +120 °C

Modular System

This flow-through fitting is available with 3 different process connections. Different protective caps, a calibration beaker, sensor adapters, process connections, and a cleaning system complete this modular system.



Flow-Through Fittings

Chem

Water

ARF 215 Flow-Through Fitting

Product Line

Order No.

		ARF 215 /					
Material	PP-H	1					
	PVDF	2					
Sensor adapter	3 x Pg 13.5	1					
	SE 660	3					
	SE 655 (X)/SE 656 (X)	4					
	SE 604/SE 630, G 1"	7					
	SE 670/G1	E					
Process connection	DN 25 coupling	1					
	G 1/4"	2					
	DN 25 flange	3					
	DN 25 coupling (incl. joining pieces)	5					
Arrangement of process connection	90°				1		
	180° staggered				2		
	180° with cleaning connection ¹⁾				3		
Protective cap	none					0	
	normal					1	
	with electrolyte reservoir					2	
Calibration beaker	without					0	
	with					1	
Sealing material	EPDM						1
	FKM (Viton)						2
	FFKM (Kalrez)						3

¹⁾ Only in conjunction with sensor adapter 3 x Pg 13.5

Other versions on request.

For up-to-date information, please visit www.knick.de

Isolation Amplifiers
Transmitters

Indicators

Process Analytics

Portable Meters

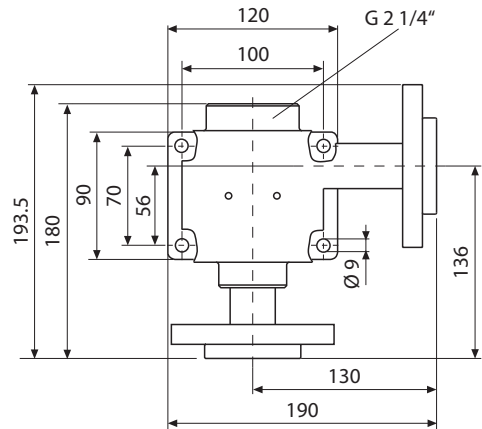
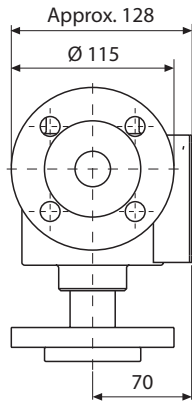
Laboratory Meters

Sensors

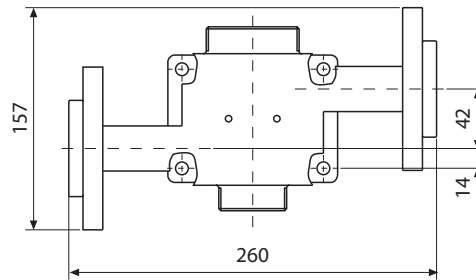
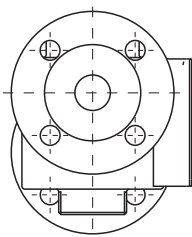
Fittings

Knick 

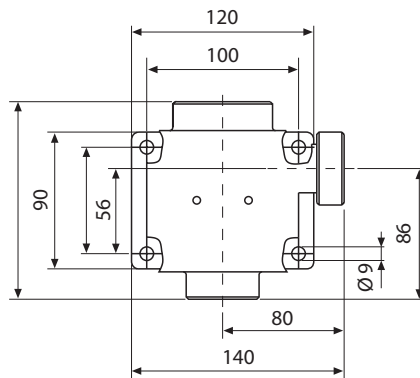
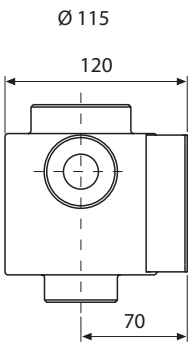
Dimension Drawings



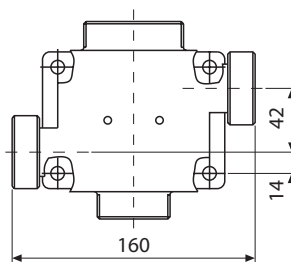
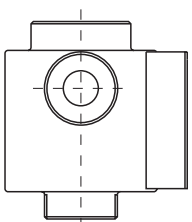
DN 25 flange, 90°



DN 25 flange,
180° staggered with connection
for cleaning system



DN 25 coupling, 90°



DN 25 coupling, 180°
staggered with connection
for cleaning system

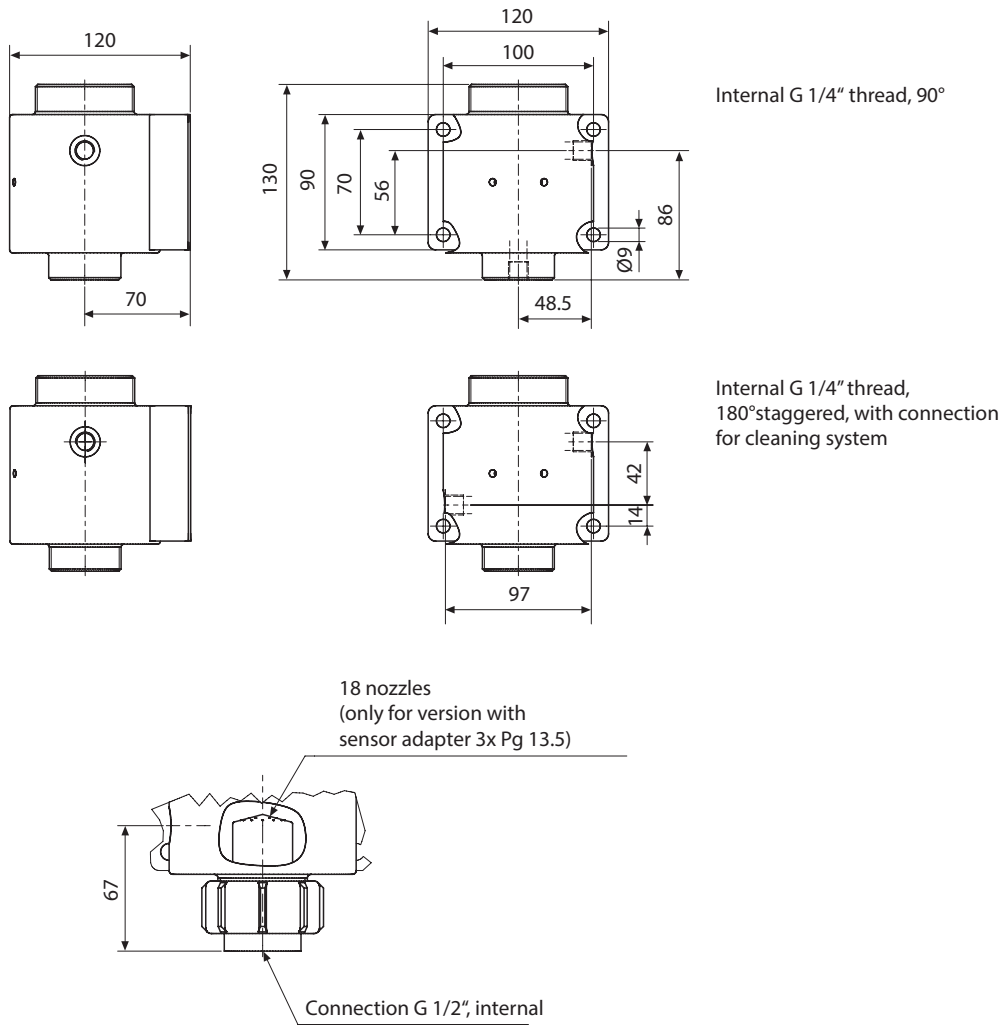
Flow-Through Fittings

Chem

Water

ARF 215 Flow-Through Fitting

Dimension Drawings – continued



For up-to-date information, please visit www.knick.de

Isolation Amplifiers
Transmitters

Indicators

Process Analytics

Portable Meters

Laboratory Meters

Sensors

Fittings

Knick >

Pressure/Temperature Diagrams

