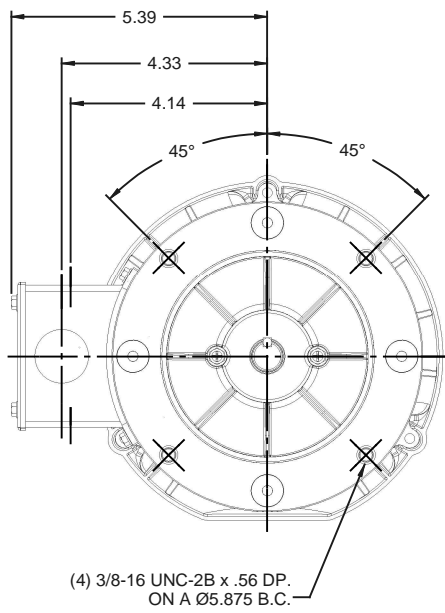
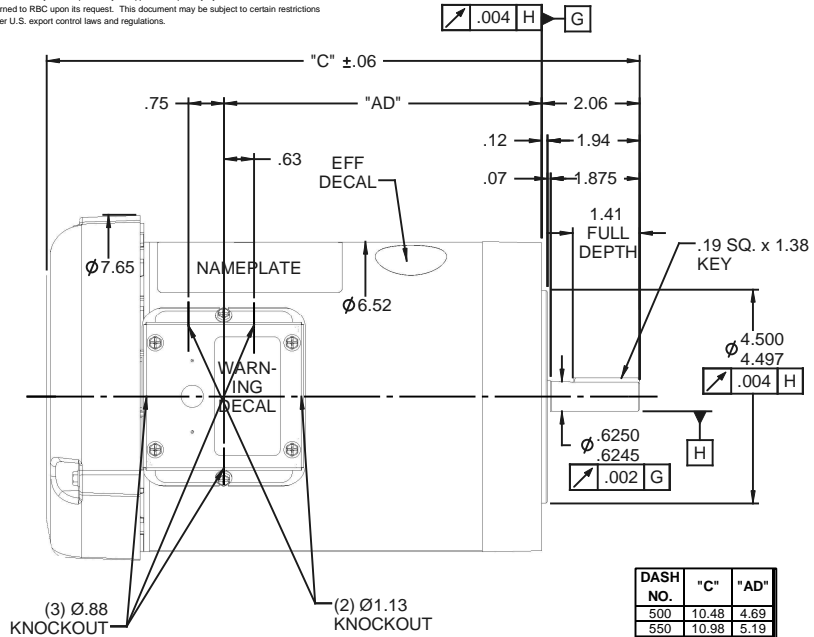


RBC PROPRIETARY AND CONFIDENTIAL INFORMATION  
 This document is the property of REGAL BELOIT CORPORATION ("RBC") including its subsidiaries and divisions and contains proprietary information of RBC. This document is loaned on the express condition that neither it nor the information contained therein shall be disclosed to others without the express written consent of RBC, and that the information shall be used by the recipient only as approved expressly by RBC. This document shall be returned to RBC upon its request. This document may be subject to certain restrictions under U.S. export control laws and regulations.



DASH NO.	"C"	"AD"
500	10.48	4.69
550	10.98	5.19
600	11.48	5.69
625	11.73	5.94
650	11.98	6.19
700	12.48	6.69
750	12.98	7.19
800	13.48	7.69

NOTE:  
 1) GASKETS THROUGHOUT

		TOLERANCES UNLESS SPECIFIED		LEESON	ELECTRIC MOTORS GEARMOTORS AND DRIVES	DRAWN KMM 08/01/07	
		DEC	INCHES			CHK	APPR
		X	±.1			SCALE	3:8
03	ADDED ITEMS #750 (116743), #800 (116744)	GRB	9/8/2008	RVD	xx	TITLE	OUTLINE - 56C FRAME
02	ADDED DASH #625 (110125) PER ISAAC:08-1939	VS	7/23/08		xxx		TEFC - "C" FACE
01	REVISED DECAL REPRESENTATION	JJK	3/27/2008		xxxx	MATL	
NO	REVISION	BY & DATE	CHK	ANG	±1/2"	FINISH	GENERAL PURPOSE
	THIRD ANGLE PROJECTION		RFP		PREV	SIZE	DRAWING NO
			NETWORK FILE NAME	028776		A	028776
							REV
							03