



6-1600.01 Handle

RoHS
WEEE

Advantages

- Handle with Ø30mm in various lengths.
- The Ø30mm diameter of the tube guarantees a sure and firm grip.
- Precise and tight fit of the tube in the center support and the end pieces.
- For vertical or horizontal applications.

Materials

- **End piece, wall end piece and center support:** PA, black

Remarks

Fastening by hex. socket head cap screws M8, or hex. screws or with countersunk screws M8.
For the total size, please add 68mm to the tube length.
For wall fastening please take the end piece b).
The center support is optional, but should be applied for tube length over 466mm.



Fastening for handle

	Part Number	Handle element	Delivery Unit
a)	213-0101.03-00000	End piece	10 pcs.
b)	213-0107.03-00000	Wall end piece	10 pcs.
c)	213-0102.03-00000	Center support	10 pcs.

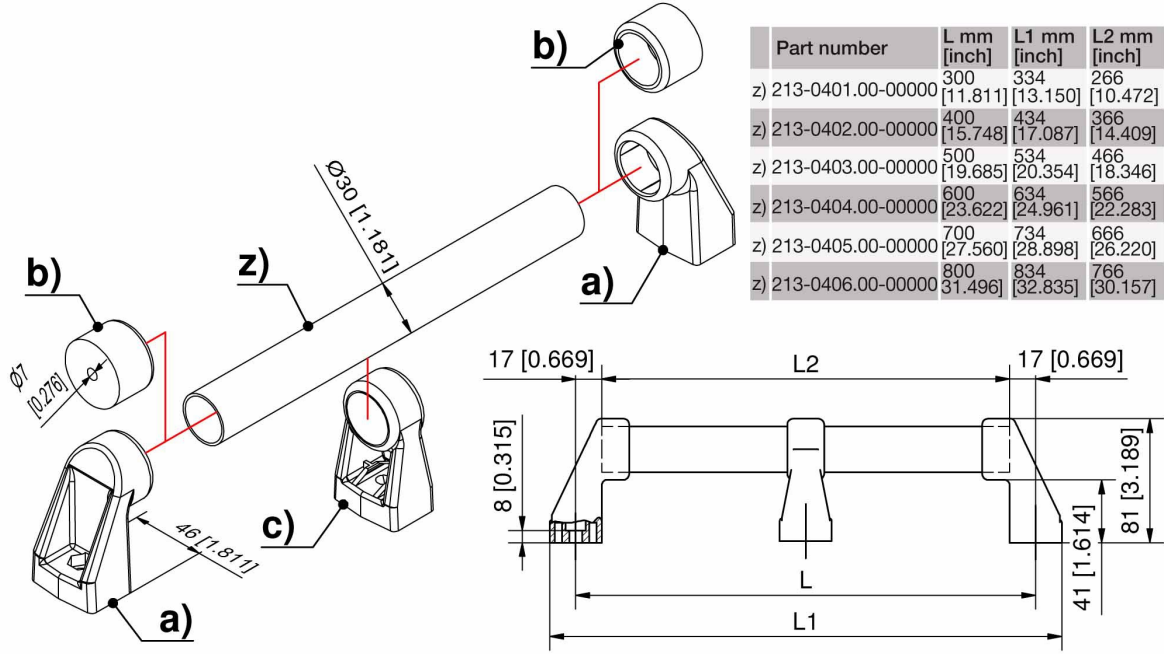
* Accessories

z) 213-0401.00-00000 **Steel tube, 266mm**

z) 213-0402.00-00000 **Steel tube, 366mm**

->

- 4) 213-0403.00-00000 Steel tube, 466mm
- z) 213-0404.00-00000 Steel tube, 566mm
- z) 213-0405.00-00000 Steel tube, 666mm
- z) 213-0406.00-00000 Steel tube, 766mm
- z) 213-0407.00-00000 Steel tube, 2500mm
- z) 213-0408.00-Lxxmm Steel tube, variable length



Part number	L mm [inch]	L1 mm [inch]	L2 mm [inch]
z) 213-0401.00-00000	300 [11.811]	334 [13.150]	266 [10.472]
z) 213-0402.00-00000	400 [15.748]	434 [17.087]	366 [14.409]
z) 213-0403.00-00000	500 [19.685]	534 [20.354]	466 [18.346]
z) 213-0404.00-00000	600 [23.622]	634 [24.961]	566 [22.283]
z) 213-0405.00-00000	700 [27.560]	734 [28.898]	666 [26.220]
z) 213-0406.00-00000	800 [31.496]	834 [32.835]	766 [30.157]