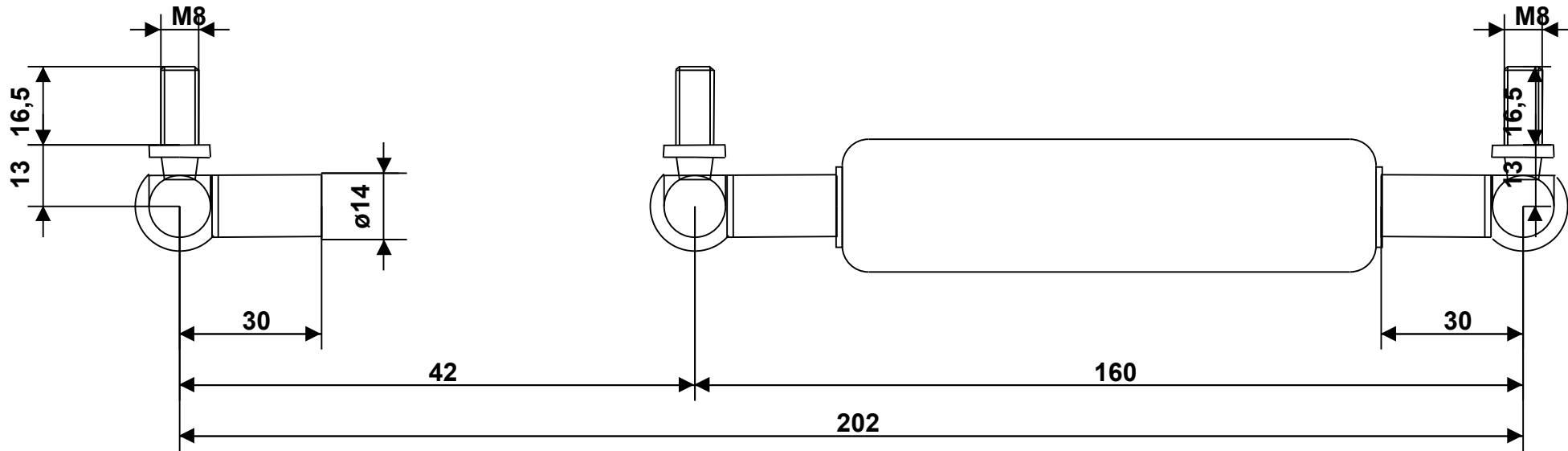


Hahn Part Number: G14-28ST#12490
G 14 28 0040 1 0202 WG30 WG30 01800N



Intended for internal use and customer / Tolerance of ext. length: +/- 2mm - Dimensions without tolerance: per DIN ISO 2768-1 -c (ISO 2768 -c) - For Information Only
 Force tolerance: F1 >= 1000N: +/- 5%; < 1000N: +/- 10%, min.: +/- 10N, max.: +/- 50N - Unregistered Copy, Print-out or file not subject to modification service.
 End fitting orientation is random and not represented by drawing unless specified - Observe disposal instructions - Not true to scale



Please note our technical instructions

Assembly/storing with piston rod down

09. July 2020

Auto-Printservice

No opening-no heating-high pressure

Made in Germany

Part

Dimension

Material / Surface

Fitting

Progr.:76,40 %

Drawing owned by Hahn Gasfedern GmbH

Piston rod

Ø14mm

steel, chrome plated

WG30 M8 CS13 * ANS/M08/WIG/001

info@hahn-gasfedern.de

Cylinder

Ø28mm

Stahl,black

WG30 M8 CS13 * ANS/M08/WIG/001

www.hahn-gasfedern.de

Configuration ID : 10067208-