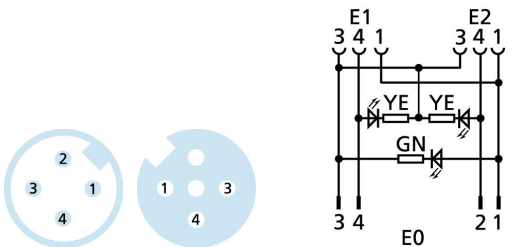
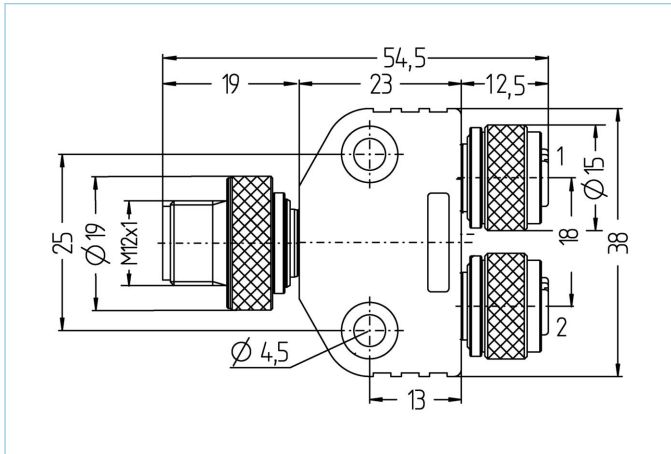


Y-splitter, M12x1, S89



Product data	
Item description	FSM4-2FKM3P3/S89
Item-No.	8012652
Customs tariff-No.	85366990
Step-File	FSM4-2FKM3P3_S89.stp
EAN	4047106079062

	Exit 0	Exit 1	Exit 2
Connector	male, M12x1, with LED	female, M12x1, with LED	female, M12x1, with LED
Contact material	Metal, CuZn, gold-plated	Metal, CuZn, gold-plated	Metal, CuZn, gold-plated
Contact-carrier material	Plastic, TPU, BK	Plastic, TPU, BK	Plastic, TPU, BK
Coupling nut material	Metal, CuZn, nickel-plated	Metal, CuZn, nickel-plated	Metal, CuZn, nickel-plated
Rated voltage	24V _{dc}	24V _{dc}	24V _{dc}
Coding of	A	A	A
Number of pins	4	3	3
Current load (at 40°C)	4A	4A	4A

Insulation resistance	≥10 ⁹ Ω
Ambient temperature product	-30°C...+90°C
Operating voltage-indicator	LED GN
Signal status-indicator	LED YE/YE
Grip body material	Plastic, TPU, BK, translucent
Sealing (female) material	FPM/FKM
Mechanical life-cycle	>100 mating cycles
Standards	IEC 61076-2-101/-104
Degree of protection (mounted)	IP65, IP67, IP68
Degree of pollution	3