

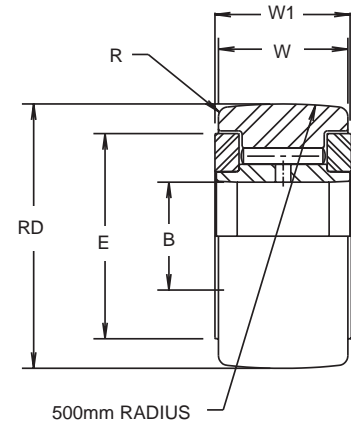
MCYR® SERIES

YOKE TYPE

- Series **MCYR®** — Unsealed, full complement
- Series **MCYR-S** — Sealed, full complement
- Series **MCYRR®** — Unsealed, cage type
- Series **MCYRR-S** — Sealed, cage type



MCYR®



UNSEALED BEARING NUMBER (1)	SEALED BEARING NUMBER (1)	BEARING DIMENSIONS						
		BORE DIA. B		ROLLER DIA. RD NOM. (2)	ROLLER WIDTH W	WIDTH W1		CORNER RADIUS R
		MAX.	MIN.			MAX.	MIN.	
		mm	mm	mm	mm	mm	mm	mm
MCYRR-5 MCYR-5	MCYRR-5-S MCYR-5-S	5	4.992	16	11	12	11.82	0.3
MCYRR-6 MCYR-6	MCYRR-6-S MCYR-6-S	6	5.992	19	11	12	11.82	0.3
MCYRR-8 MCYR-8	MCYRR-8-S MCYR-8-S	8	7.992	24	14	15	14.82	0.5
MCYRR-10 MCYR-10	MCYRR-10-S MCYR-10-S	10	9.992	30	14	15	14.82	1
MCYRR-12 MCYR-12	MCYRR-12-S MCYR-12-S	12	11.992	32	14	15	14.82	1
MCYRR-15 MCYR-15	MCYRR-15-S MCYR-15-S	15	14.992	35	18	19	18.79	1
MCYRR-17 MCYR-17	MCYRR-17-S MCYR-17-S	17	16.992	40	20	21	20.79	1.5
MCYRR-20 MCYR-20	MCYRR-20-S MCYR-20-S	20	19.990	47	24	25	24.79	1.5
MCYRR-25 MCYR-25	MCYRR-25-S MCYR-25-S	25	24.990	52	24	25	24.79	1.5
MCYRR-30 MCYR-30	MCYRR-30-S MCYR-30-S	30	29.990	62	28	29	28.79	1.5
MCYRR-35 MCYR-35	MCYRR-35-S MCYR-35-S	35	34.988	72	28	29	28.79	2
MCYRR-40 MCYR-40	MCYRR-40-S MCYR-40-S	40	39.988	80	30	32	31.75	2
MCYRR-45 MCYR-45	MCYRR-45-S MCYR-45-S	45	44.988	85	30	32	31.75	2
MCYRR-50 MCYR-50	MCYRR-50-S MCYR-50-S	50	49.988	90	30	32	31.75	2

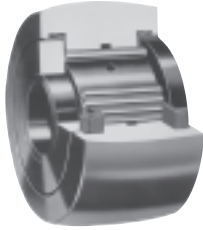
(1) Standard bearing has a crowned roller outside diameter. For straight cylindrical outside diameter, add suffix "X". (Example - MCYRR-15-X or MCYR-15-SX)
 (2) Tolerance limits for Roller Diameter are shown below.

Cylindrical Roller Dia. "RD"

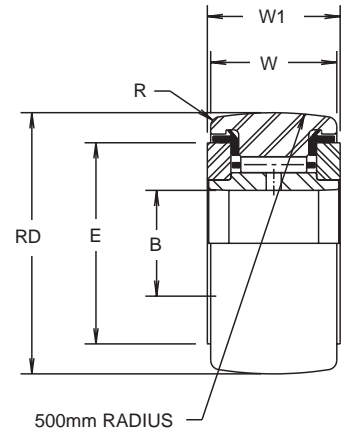
RD (NOM.)		TOLERANCE	
OVER	INCL.	MAX.	MIN.
mm	mm	mm	mm
6	18	0	-0.008
18	30	0	-0.009
30	50	0	-0.011
50	80	0	-0.013
80	120	0	-0.015

Crowned Roller Dia. "RD"

RD (NOM.)		TOLERANCE	
OVER	INCL.	MAX.	MIN.
mm	mm	mm	mm
6	120	0	-0.050



MCYRR-S



UNSEALED BEARING NUMBER (1)	SEALED BEARING NUMBER (1)	MOUNTING DIMENSIONS					LIMITING SPEED		LOAD RATINGS				MASS kg
		SHAFT DIAMETER (3)				CLAMPING DIA. E	GREASE (4)	OIL (4)	ISO/ABMA BASIC LOAD RATINGS NEWTONS		TRACK ROLLER LOAD RATINGS NEWTONS		
		LOOSE FIT FOR LIGHT LOADS g6		LIGHT TRANSITION FIT FOR MEDIUM LOADS h6					DYNAMIC	STATIC	DYNAMIC	STATIC	
		MAX.	MIN.	MAX.	MIN.	MIN.							
		mm	mm	mm	mm	mm	rpm	rpm			(5)		
MCYRR-5 MCYR-5	MCYRR-5-S MCYR-5-S	4.996	4.988	5	4.992	11	19500 13000	25000 17000	4120 6960	4120 8340	3430 5790	3380 6900	0.011 0.014
MCYRR-6 MCYR-6	MCYRR-6-S MCYR-6-S	5.996	5.988	6	5.992	13	15500 10500	20000 13500	4510 8040	5000 10490	3730 6670	4090 8760	0.018 0.021
MCYRR-8 MCYR-8	MCYRR-8-S MCYR-8-S	7.995	7.986	8	7.991	16	12500 8400	16000 11000	6860 11470	7750 15200	5690 9610	6450 12600	0.040 0.043
MCYRR-10 MCYR-10	MCYRR-10-S MCYR-10-S	9.995	9.986	10	9.991	19	9600 6400	12500 8300	8240 13340	9710 18240	6860 11080	8050 15300	0.060 0.062
MCYRR-12 MCYR-12	MCYRR-12-S MCYR-12-S	11.994	11.983	12	11.989	21	8100 5400	10500 7000	8730 14420	10890 20890	7260 12060	9120 17400	0.067 0.069
MCYRR-15 MCYR-15	MCYRR-15-S MCYR-15-S	14.994	14.983	15	14.989	24	6300 4200	8200 5400	13040 20300	19030 34130	10890 16970	15900 28500	0.102 0.105
MCYRR-17 MCYR-17	MCYRR-17-S MCYR-17-S	16.994	16.983	17	16.989	27	4900 3300	6400 4300	15990 23240	23730 38540	13340 19420	19700 32200	0.150 0.153
MCYRR-20 MCYR-20	MCYRR-20-S MCYR-20-S	19.993	19.980	20	19.987	30	3900 2600	5000 3400	21280 30700	35700 57670	17750 26000	29800 40000	0.252 0.255
MCYRR-25 MCYR-25	MCYRR-25-S MCYR-25-S	24.993	24.980	25	24.987	36	3300 2200	4300 2900	22950 34130	41780 70410	19120 28440	34900 58700	0.278 0.284
MCYRR-30 MCYR-30	MCYRR-30-S MCYR-30-S	29.993	29.980	30	29.987	44	2500 1700	3200 2200	34030 49720	65120 107290	28340 41480	54300 89000	0.465 0.476
MCYRR-35 MCYR-35	MCYRR-35-S MCYR-35-S	34.991	34.975	35	34.984	52	2200 1500	2800 1900	38930 56880	72960 120230	32460 47370	60900 100000	0.636 0.649
MCYRR-40 MCYR-40	MCYRR-40-S MCYR-40-S	39.991	39.975	40	39.984	58	1900 1300	2400 1700	49720 70020	94440 147990	41480 58350	78700 123000	0.825 0.845
MCYRR-45 MCYR-45	MCYRR-45-S MCYR-45-S	44.991	44.975	45	44.984	63	1800 1200	2300 1500	51190 73750	101010 163190	42760 61490	84100 136000	0.901 0.924
MCYRR-50 MCYR-50	MCYRR-50-S MCYR-50-S	44.991	49.975	50	49.984	68	1600 1100	2000 1400	54720 77180	113570 178390	45600 64330	94800 148000	0.960 0.984

- (3) For a tight fit and heavy loads, use ISO tolerance j6.
- (4) Since load, lubrication method, temperature and other factors affect the maximum operating speed, it is impossible to determine precise limiting speed. The listed limiting speeds are based on lightly loaded bearings having adequate lubrication and are listed only as a design guide. If grease lubricated, frequent relubrications is required. Actual bearing testing in the specific application should be conducted if the anticipated operating speed approaches the listed limiting speed.
- (5) Dynamic load should not exceed 50% of Dynamic Rating as a track roller.