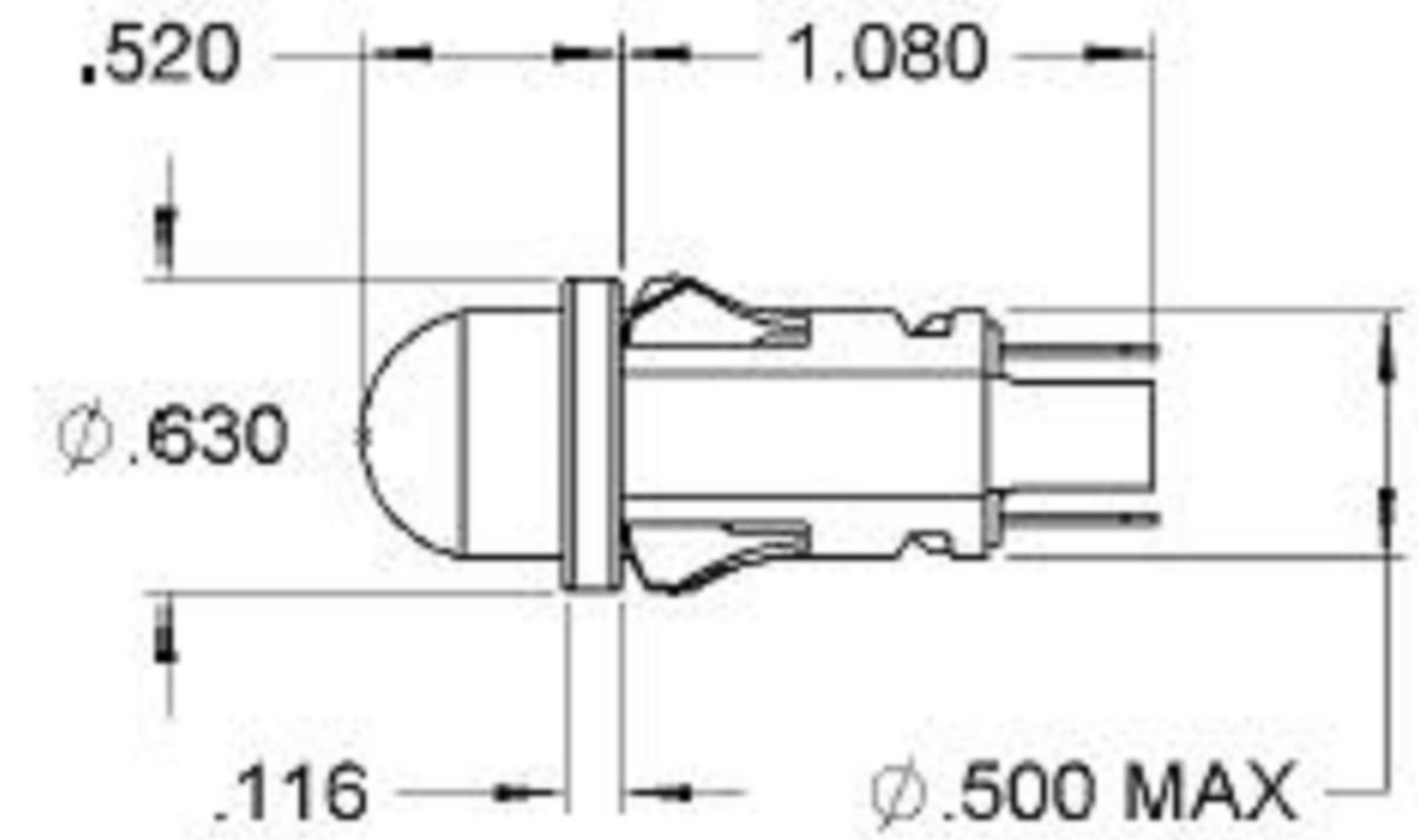
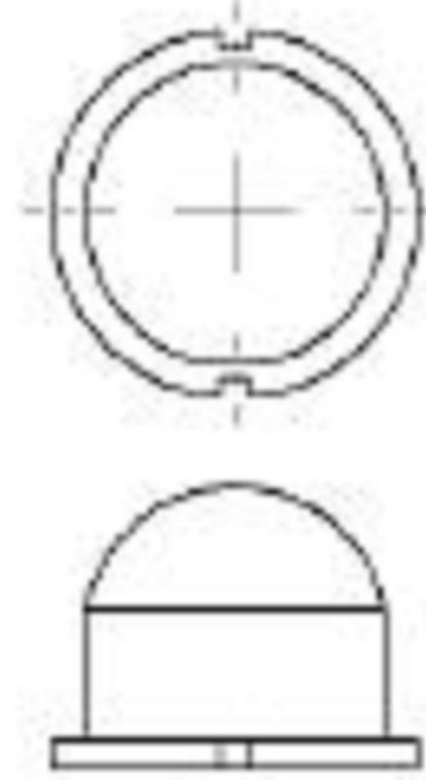


PART NUMBER	REV	AUTH
346299-401	-	1131366

Hi-Dome



Materials	
Housing	White Nylon UL94 V-2
Lens	Transparent Polycarbonate UL94 V-2
Bezel	Polished stainless steel
Tab terminals	Quick-connect tinned brass

Installation Specifications	
Mounting Hole	0.500" to 0.505" (12,70 to 12,83 mm)
D-Mounting Hole	0.470" to 0.475" (11,94 to 12,07 mm)
Panel Thickness	0.020" to 0.100" (0,51 to 2,54 mm)
Tab Terminals	0,187" (4,75mm) terminals

Voltage Table		
Nominal	VAC	VDC
12V	10 to 14	10 to 14
28V	26 to 30	26 to 30
125V	105 to 125	-

Internal Resistor	
12V	390Ω
28V	1200Ω
125V	15000Ω + rectifier diode

Temperature Specifications	
Operating Temperature	-40°C to +85°C -40°F to +185°F
Storage Temperature	-40°C to +85°C -40°F to +185°F

Forward Current Rating	25mA
------------------------	------

THE SYMBOLS (X), F, P, AND AMC DENOTE FEATURES CRITICAL WITH RESPECT TO SAFETY, FUNCTION, PROCESS AND ALTERNATE MEANS OF CONTROL. THESE FEATURES MUST BE CONTROLLED PER REQUIREMENTS OF THE "SUPPLIER QUALITY MANUAL" OR THE "OPERATIONS PROCESS CERTIFICATION STANDARD WORK".

				PART(S) MUST COMPLY WITH ENGINEERING REQUIREMENT(S) T-005, C-283		Carrier A United Technologies Company INDIANAPOLIS, IN. SYRACUSE, NY.	
				THIRD ANGLE PROJECTION UNITS METRIC mm		THIS DOCUMENT AND THE INFORMATION CONTAINED THEREIN IS PROPRIETARY TO CARRIER CORPORATION AND SHALL NOT BE USED OR DISCLOSED TO OTHERS, IN WHOLE OR IN PART, WITHOUT THE WRITTEN AUTHORIZATION OF CARRIER CORPORATION.	
				UNLESS OTHERWISE SPECIFIED DIMENSIONS TOLERANCES ARE: 0 DEC 1 DEC 2 DEC ANG ±0 ±0.8 ±0.25 ±1°		TITLE PRESSURE LIGHT	
				MATERIAL SEE NOTES		DRAWING NO. 346299-4	
				DESIGNER P.SAPPATI		DWG REV -	
				CREATED ON 04/09/20		Sheet 1 of 1	
				DESIGN ENGR S.MICHAEL		ITERATION	
				ORIG ECN NO. 1131366		SCALE NONE	
1131366	ORIG. -401	-	PKS	MJS	04/20		
ECN NO.	REVISIONS	ZONE	DR	APP	DT		