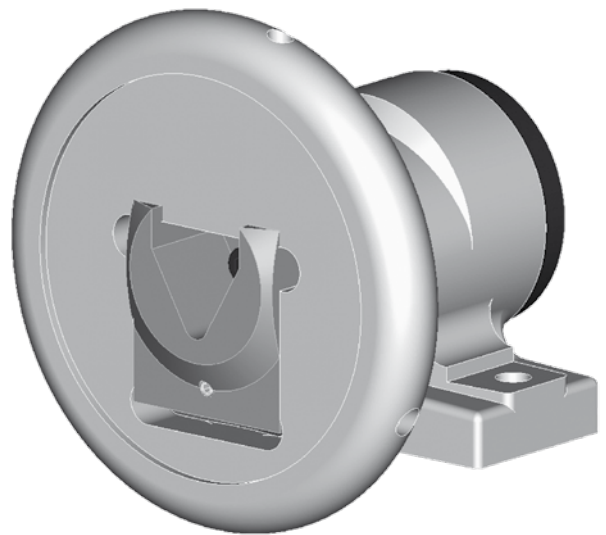
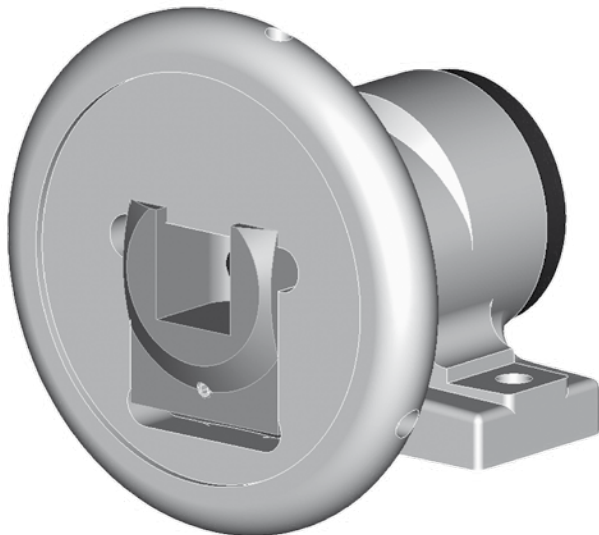


2.10 Boschert-Chuck 19-25



- 19-25 STO** *Boschert* foot mounted chuck without shaft end
19-25 STW *Boschert* foot mounted chuck with shaft end
19-25 FLO *Boschert* flange mounted chuck without shaft end
19-25 FLW *Boschert* flange mounted chuck with shaft end



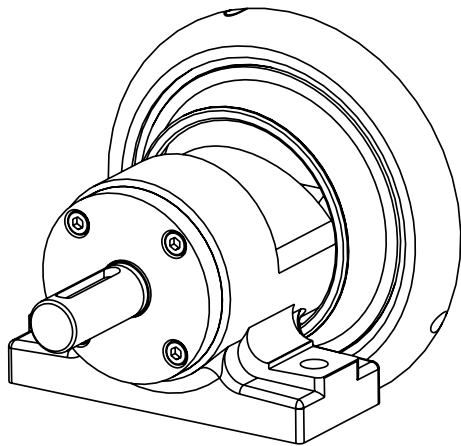
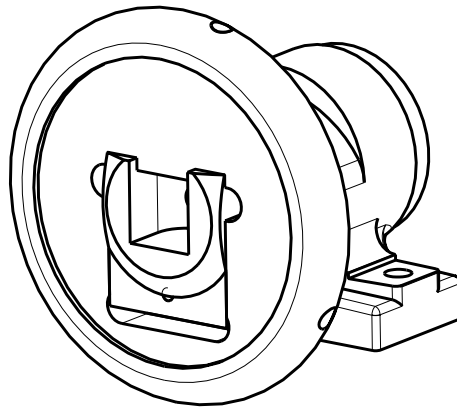
- Square bar:** □ 19 mm - 25 mm (0.748" - 0.9843")
Standard square bar: □ 25 mm (0.9843")
max. beam weight: □ 400 kg □ (880 lbs)
max. torque: ↻ 120 Nm (88.5 ft/lb)
max. rpm: 1350 min⁻¹

		Info
Type:	C	2.54
Journal shaft type:	square bar / triangle	2.13
Shaft end:	standard	2.13
Add. parts:	brakes	6.00
	clutches	7.00

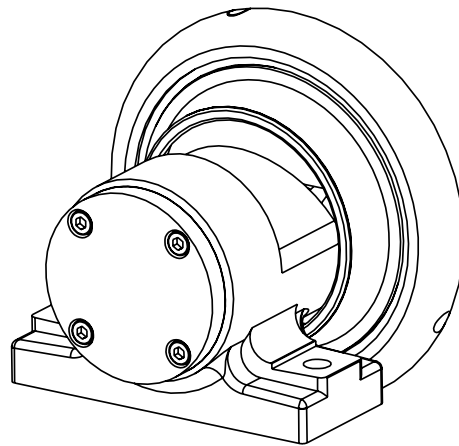
Boschert-Chuck 19-25 foot mounted



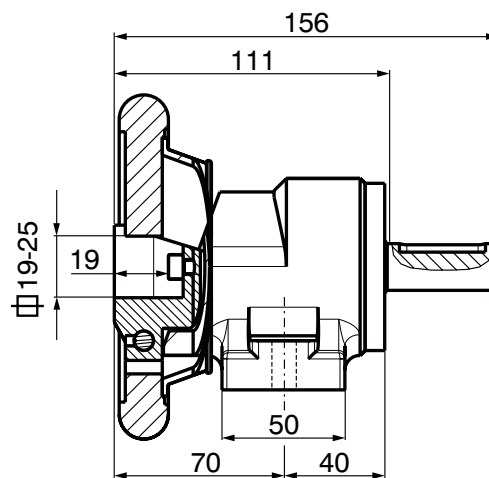
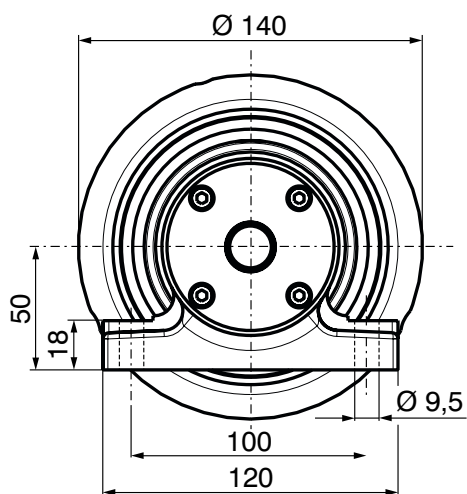
Boschert-Chuck 19-25 type C



STW 19-25
chuck with shaft end



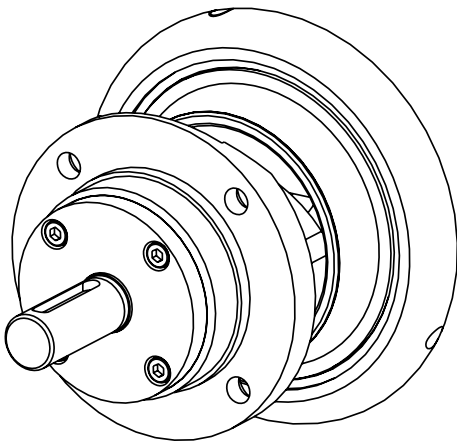
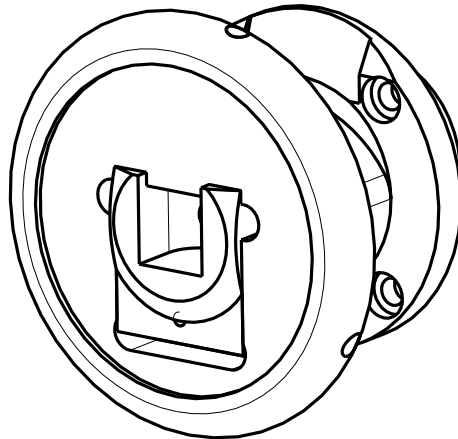
STO 19-25
chuck without shaft end



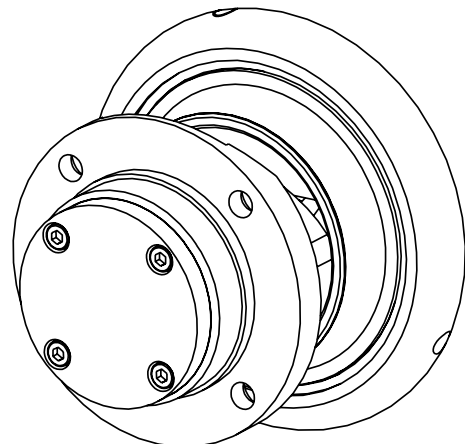
Shaft end details page 2.13

Boschert-Chuck 19-25 flange mounted

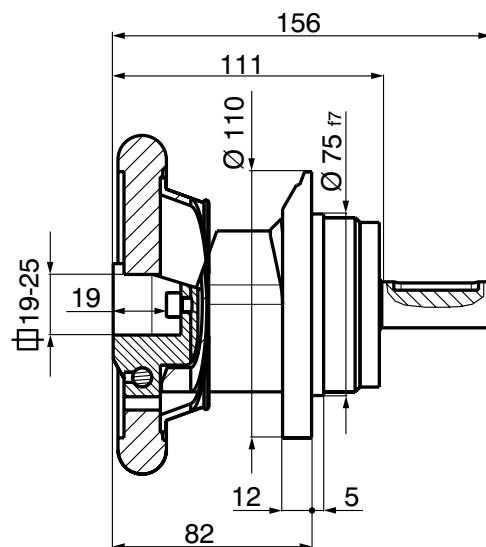
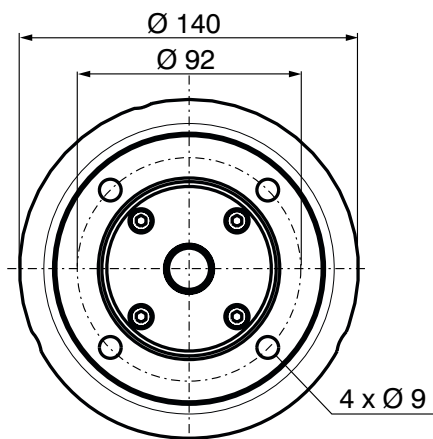
Boschert-Chuck 19-25 type C



FLW 19-25
chuck with shaft end



FLO 19-25
chuck without shaft end

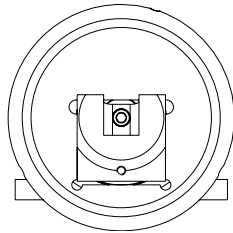


Shaft end details page 2.13

Boschert-Chuck 19-25 options

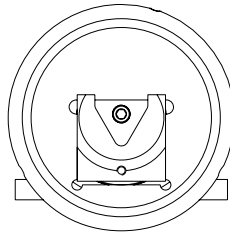


Journal shaft type



square bar

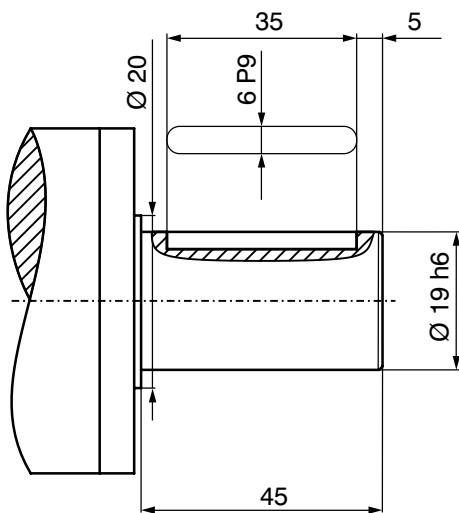
Info: 11.10



triangle

Info: 11.11

Shaft end



Standard shaft end

Special shaft ends per customer request

Max. shaft-dia.: Ø 25 mm
(special shaft without stop)