

# GD-6

## Features

1. High accurate controllability of reduced pressure even at small flow rate.
2. Simple in structure, less prone to fail and easy to maintain.
3. Compact and lightweight.
4. Easy to install due to screwed connections.

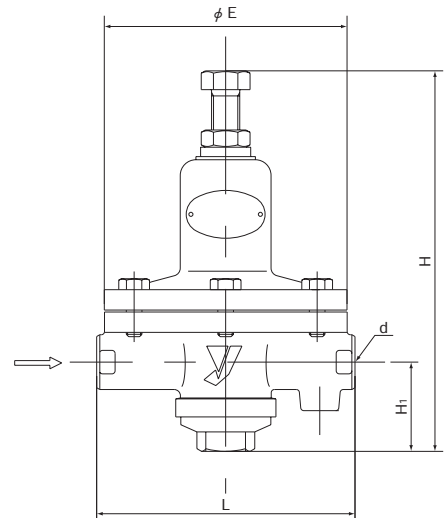
## Specifications

Model	GD-6	
Application	Cold and hot water, Oil, Air, Other non-dangerous fluids	
Inlet pressure	0.1-1.0 MPa	
Reduced pressure	(A) 0.02-0.1 MPa (Nameplate color: yellow) (B) 0.1-0.4 MPa (Nameplate color: blue)	
Minimum differential pressure	0.05 MPa	
Maximum pressure reduction ratio	10:1	
Application temperature	5-80°C	
Valve seat leakage	None	
Fluid viscosity	300 cSt or less	
Material	Body	Ductile cast iron *1
	Valve disc, valve seat	Brass and bronze (FKM disc incorporated) *2
	Diaphragm	Stainless steel
Connection	JIS Rc screwed	

\*1 Available with stainless steel wetted parts and all stainless steel made on request.

\*2 Available with stainless steel made valve disc and valve seat on request. Also available with PTFE disc on request.

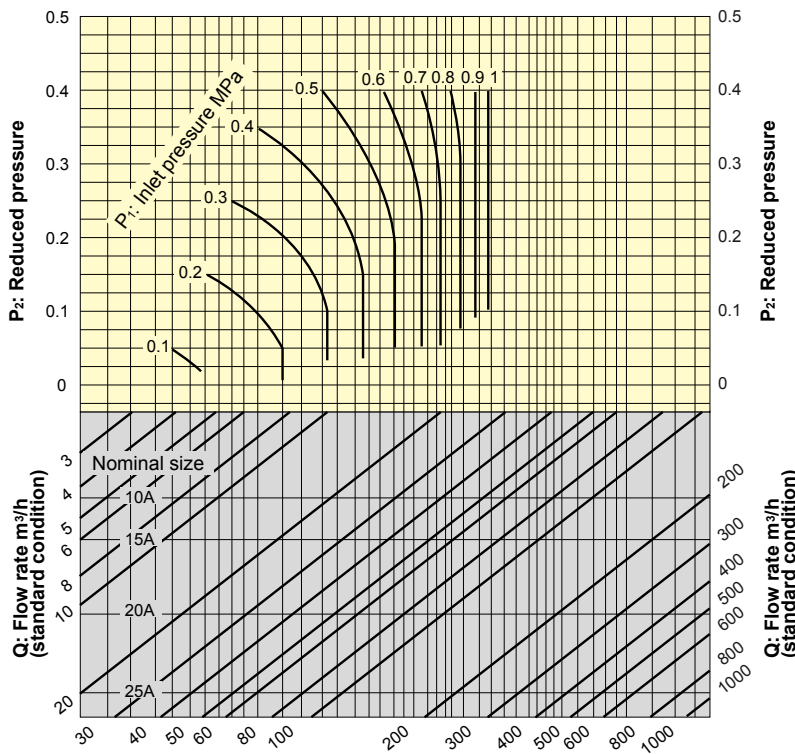
• Available with anticorrosive (fluororesin-coated) type on request.



## Dimensions (mm) and Weights (kg)

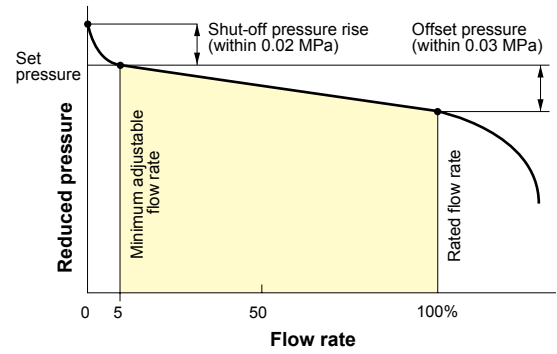
Nominal size	d	L	H	H <sub>1</sub>	E	Weight
10A	Rc 3/8	165	243	57	155	5.5
15A	Rc 1/2	165	243	57	155	5.5
20A	Rc 3/4	185	267	76	175	8.2
25A	Rc 1	185	267	76	175	8.2

### Nominal Sizes Selection Chart (For Air)

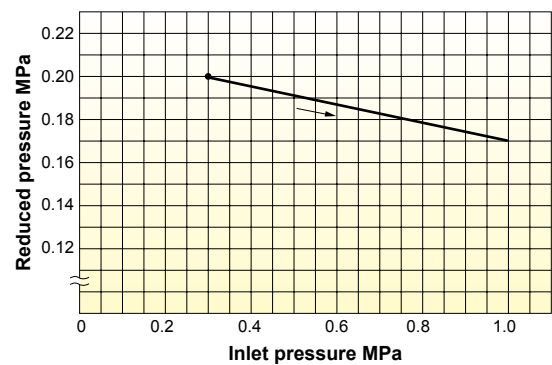


• Set the safety factor at 80 to 90%.

### Flow Characteristic Chart



### Pressure Characteristic Chart



This chart shows variation in reduced pressure when the inlet pressure of 0.3 MPa is changed between 0.3 MPa and 1.0 MPa while the reduced pressure is set at 0.2 MPa.

### Nominal Sizes Selection Chart (For Water)

