

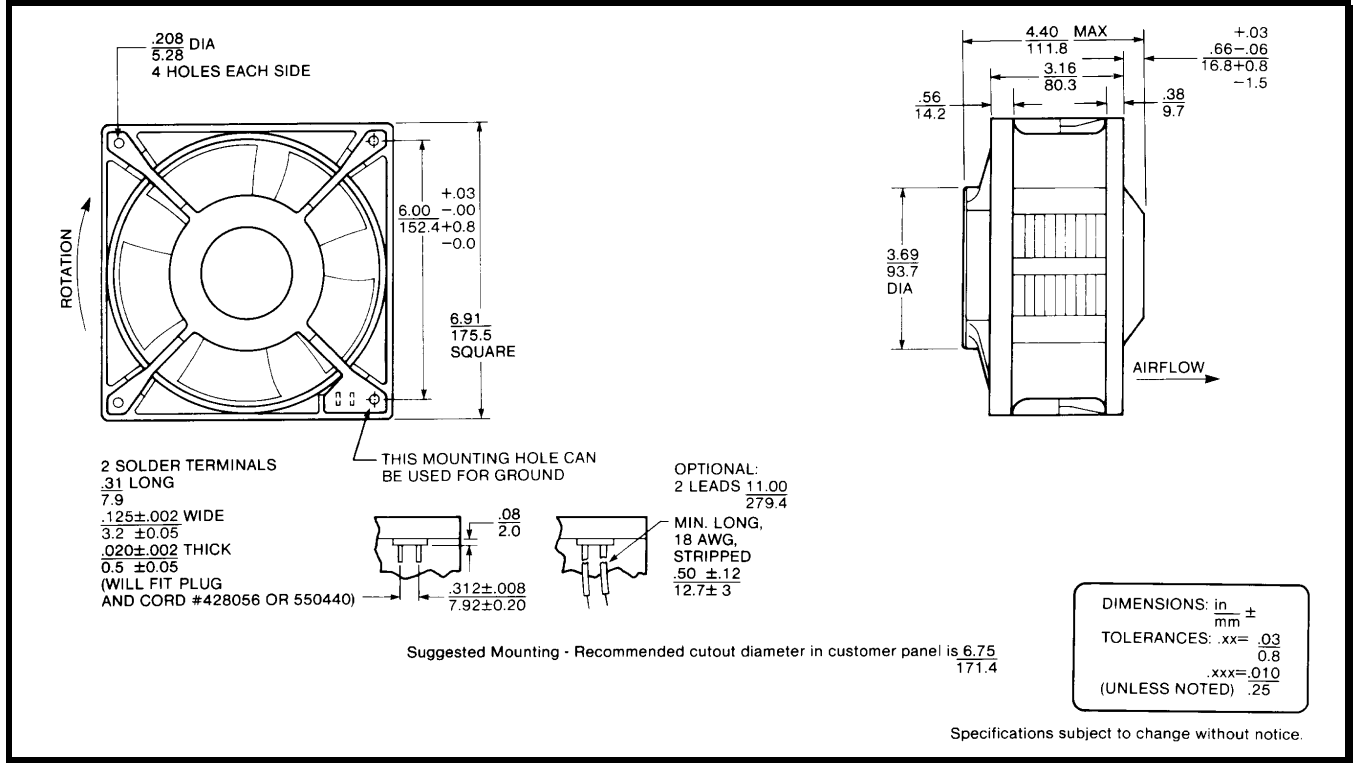
SPECIFICATIONS



Model Number: TNE2A
Part Number: 19020174A

Apr. 01, 2016

Mechanical Drawing:



Motor:

Nominal Voltage	= 115 VAC
Frequency	= 50 / 60 Hz
Nominal Running Current	= 0.50 / 0.53 Amps
Max. Locked Rotor Current	= 1.25 / 1.35 Amps
Running Power	= 50 / 56 Watts
Average Speed	= 2820 / 3480 RPM
Bearings	= Ball
Air Flow	= 280 / 340 CFM
Acoustic	= 61.6 / 65.4 dBA

Construction:

Venturi: Plastic, Black, UL 94V-0
 Propeller & Cover: Plastic, Black, UL 94V-0

Life Expectancy:

This fan is designed for continuous duty life of 25,000 hours at 40°C.

Additional Features:

Permanent Split Capacitor
 Automatic Reset Thermal Protector
 Thermal Shutdown Protection
 Class B Insulation
 Operating Temperature: -10°C to 70°C
 Storage Temperature: -40°C to 85°C

Termination:

0.125" Terminals

Agency Approvals:

UL