

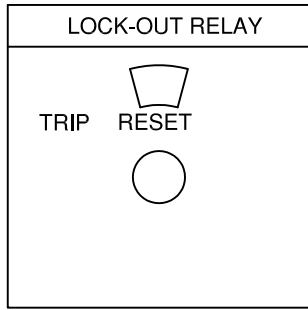


**ELECTROSWITCH**  
 UNIT OF ELECTRO SWITCH CORP.  
 WEYMOUTH, MASSACHUSETTS 02188  
 TEL: (781)335-5200 FAX: (781)335-4253

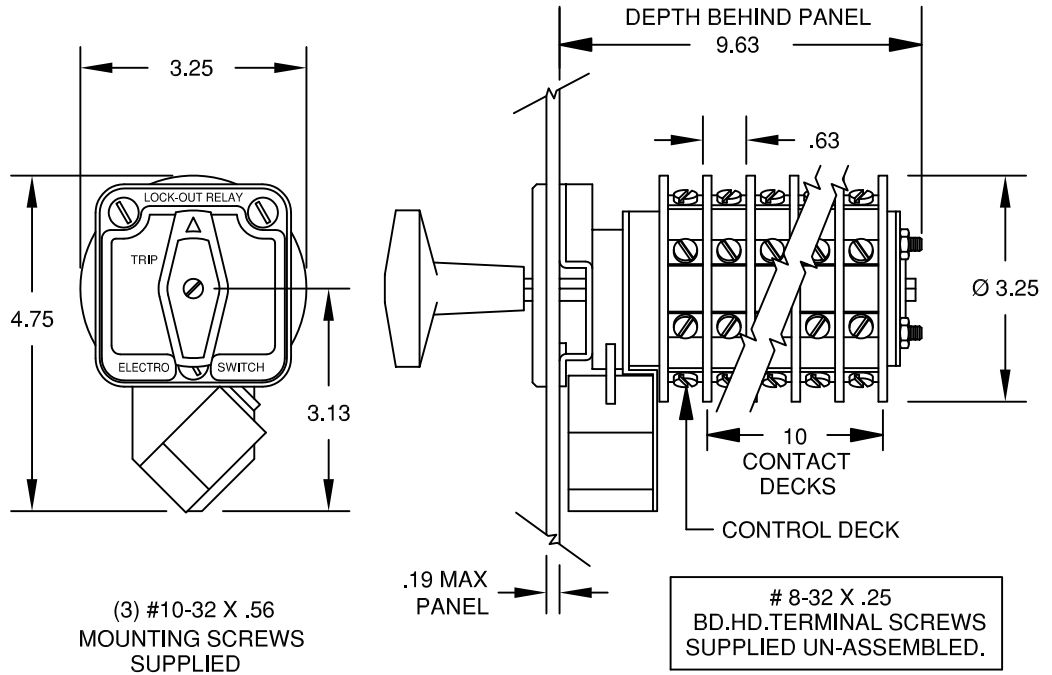
**SERIES 24  
 MANUAL RESET  
 LOCKOUT RELAY**

**7810D**

**STANDARD  
 NAMEPLATE ENGRAVING**



CODE 17C-2L22

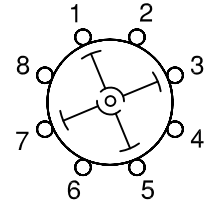


TRIP COIL SPECIFICATIONS		
NOMINAL VOLTAGE:	125 VDC	120 VAC
OPERATING RANGE:	30-140 VDC	30-140 VAC
THRESHOLD:	16 VDC (MIN)	20 VAC (MIN)
COIL RESISTANCE:	27.0 Ω	27.0 Ω
COIL BURDEN:	4.6 AMPS @125 VDC	4.5 AMPS @120 VAC

FOR FURTHER INFORMATION REFER TO TECHNICAL PUBLICATION LOR-1

**TYPICAL CONTACT DECK LAYOUT**

DECK 1	CONTACTS		POSITION	
	TRIP	RESET	TRIP	RESET
11	○ — —○	13		X
12	○ — —○	18	X	
15	○ — —○	17		X
14	○ — —○	16	X	



ADDITIONAL CONTACT DECKS SAME AS DECK 1 EXCEPT TERMINAL NUMBERS. (DECK 2: 21 TO 28, DECK 3: 31 TO 38 ETC.)

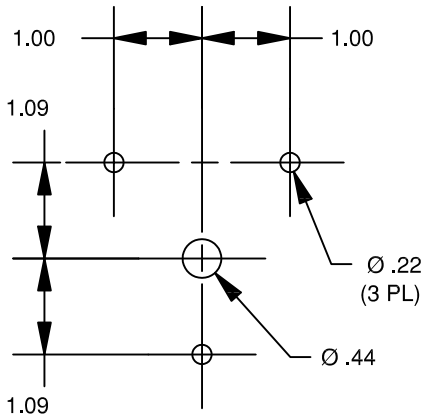


20A-120VAC  
 15A-240VAC  
 6A-600VAC  
 3A-125VDC  
 1A-250VDC

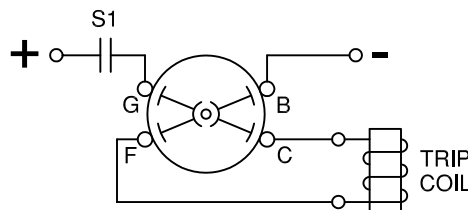


20A-600VAC res  
 15A-600VAC ind

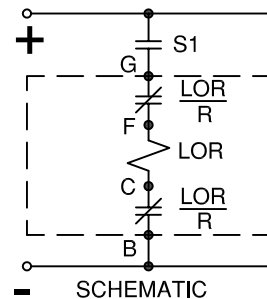
**PANEL DRILLING DIMENSIONS**



**CONTROL CIRCUIT**



LAYOUT



SCHEMATIC

CONTROL DECK	CONTACTS		POSITION	
	TRIP	RESET	TRIP	RESET
B	○ — —○	C		X
F	○ — —○	G		X

MADE BY: I.R.U.  
 APPR. BY: J.M.

DATE: 8/28/78  
 DATE: 8/28/78

DWG. NO:  
 SHEET 1 OF 1

REV H

REVISIONS: E IECN# 20436 WDS 8/26/92 JR IECN 24746 WDS 10/19/98 C.J.L. IECN 30923 SPB 04-10-15 MK IECN 31682 YK 1-06-19