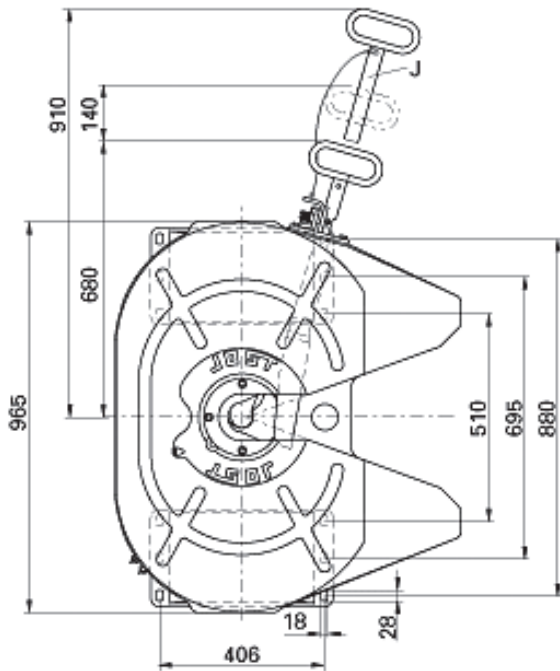
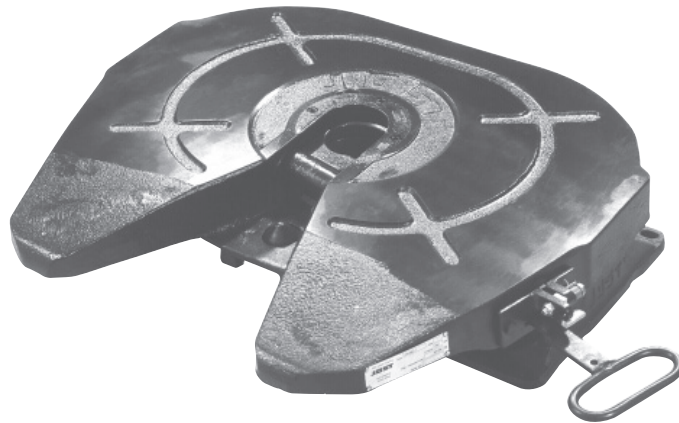


### JSK 38 C-1 JSK 38 C-2"

with mounting pattern according to DIN standard 74081 and 74084



A heavy duty fifth wheel coupling for operation under arduous conditions.

The well known JOST locking device together with the maintenance free rubber cushions ensures a high degree of stability and safety on the road.

This fifth wheel is available for use with 3 1/2" and 2" king pins.

The conversion of a 3 1/2" or 2" locking mechanism or vice versa can easily be carried out with standard tools, without removing the fifth wheel coupling from the truck.

TWO HEIGHT OPTIONS	
160mm optional	(Bolt on/weldable feet)
190mm optional	(Bolt on/weldable feet)

Type	King pin	Imposed load	D-value	Weight	CRN
JSK 38 C-1	3 1/2"	36 000kg	260kN	190kg	24329
JSK 38 C-2"	2"	36 000kg	216kN	190kg	16913

Mounting must be carried out in accordance with our instructions.

The right to alter specifications is reserved.

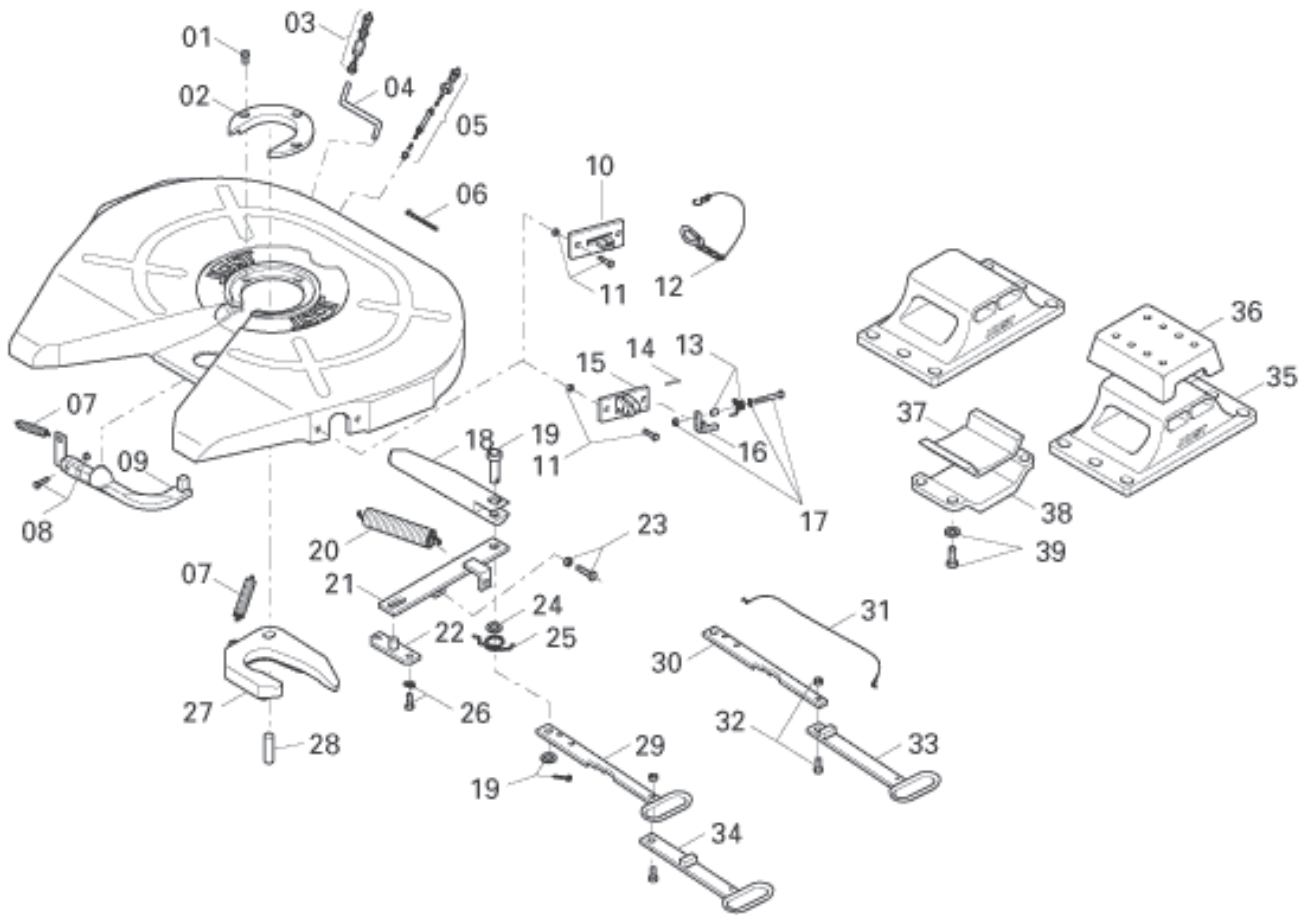


Fig.	Description	Part No.
1	Socket head bolt	SK 2421-08
2	Wearing ring 3 1/2", compl. with 01	SK 2421-56
2	Wearing ring 2", compl. with 01	SK 2421-57
3	Nut and bolt	SK 1976
4	Lubrication tube	SK 2205-12
5	Lubrication tube, compl. with 06	SK 2408-02
6	Cable tie	SK 3121-13
7	Tension spring	SK 2106-01
8	Hexagon bolt, compl.	SK 2421-51
9	Latch	SK 2405-27
10	Guide plate	SK 2405-22
11	Hexagon bolt, compl.	SK 2421-50
12	Spring hook, compl.	SK 1436
13	Spring noose with spacer	SK 2921-30
14	Clamping pin	000.003.027
15	Latch holder, compl. with 14	SK 2405-084
16	Latch, compl.	SK 3121-52 Kit
17	Hexagon bolt, compl.	SK 3521-03
18	Locking bolt	SK 2405-01
19	Bar bolt, compl.	SK 2121-14
20	Double tension spring	SK 2405-23
21	Lever	SK 2405-04
22	Bearing	SK 2405-15
23	Hexagon bolt, compl.	SK 2421-52
24	Washer	SK 2405-19
25	Spring noose	SK 2405-09
26	Hexagon bolt, compl.	SK 2421-53
27	Lock jaw	SK 2405-14
27	Lock jaw, 3 1/2" (Greaseable)	SK 2405-14Z
27	Lock jaw, 2"	SK 2405-13
27	Lock jaw, 2" (Greaseable)	SK 2405-13Z
28	Bolt	SK 2421-54

Fig.	Description	Part No.
29	Handle (standard version)	SK 2405-066
30	Locking bar for type J	SK 2405-067
31	Latch cord, compl. f. type J	SK 3521-02
32	Hexagon bolt, compl. f. type J	SK 2421-50
33	Handle for type J	SK 3105-113
34	Handle	SK 2405-066
35a	Pedestal 160mm	SK 2404-05
35b	Pedestal 190mm	SK 2404-01
35c	Pedestal 250mm	SK 2404-04
36	Rubber cushion, upper	SK 2006
37	Rubber cushion, lower	SK 2007
38	Bridge	SK 2005
39	Hexagon bolt, compl.	SK 2421-55
Repair Kits		
1,2,7 12,20, 27,28	Repair kit for lock 3 1/2"	SK 2421-76
1,2,7, 12,20, 27,28	Repair kit for lock 2"	SK 2421-77
36,37, 39	Repair kit for bearing	SK 2421-78
Conversion Kits		
1,2,7, 27	Conversion kit from 3 1/2" to 2" lock	SK 2421-98
1,2,7, 27	Conversion kit 2" to 3 1/2"	SK 2421-99
31,32, 34	Handle extension retrofit kit, compl.	SK 3121-063